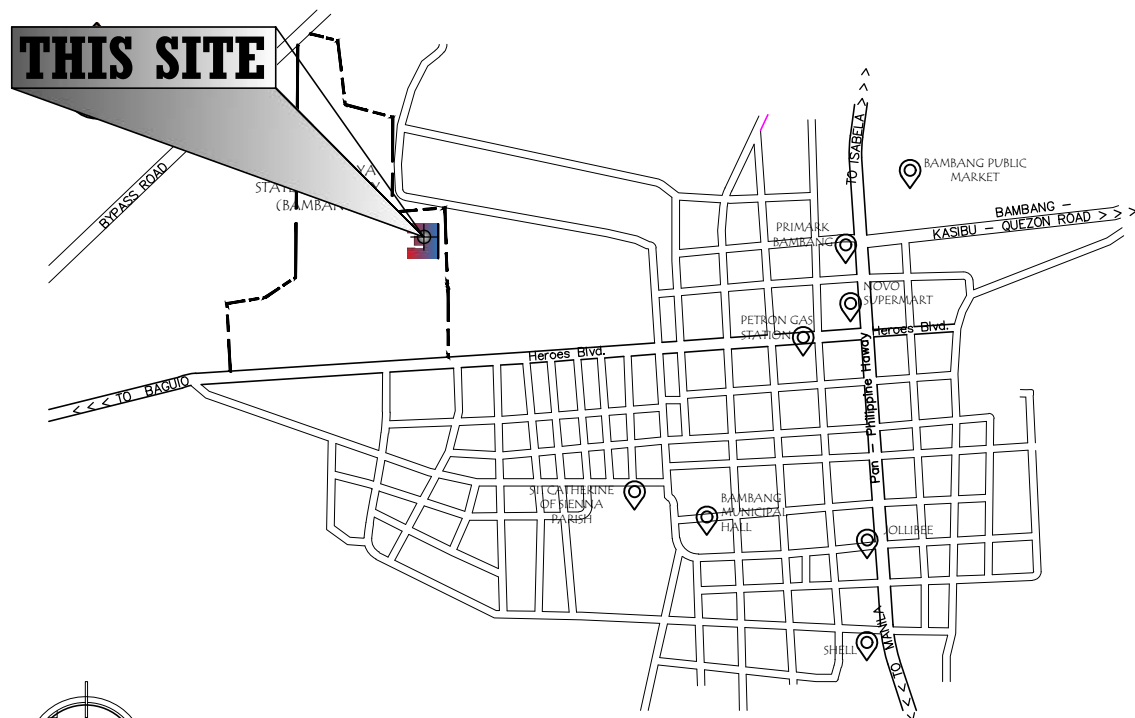
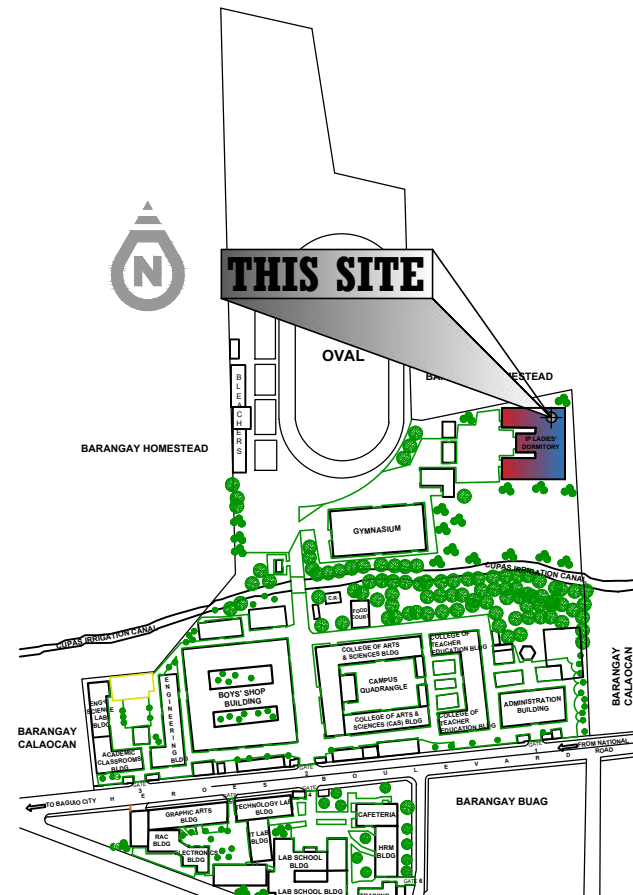




**A**  
H01  
SCALE NTS  
PERSPECTIVE VIEW



**A**  
H02  
SCALE NTS  
VICINITY MAP

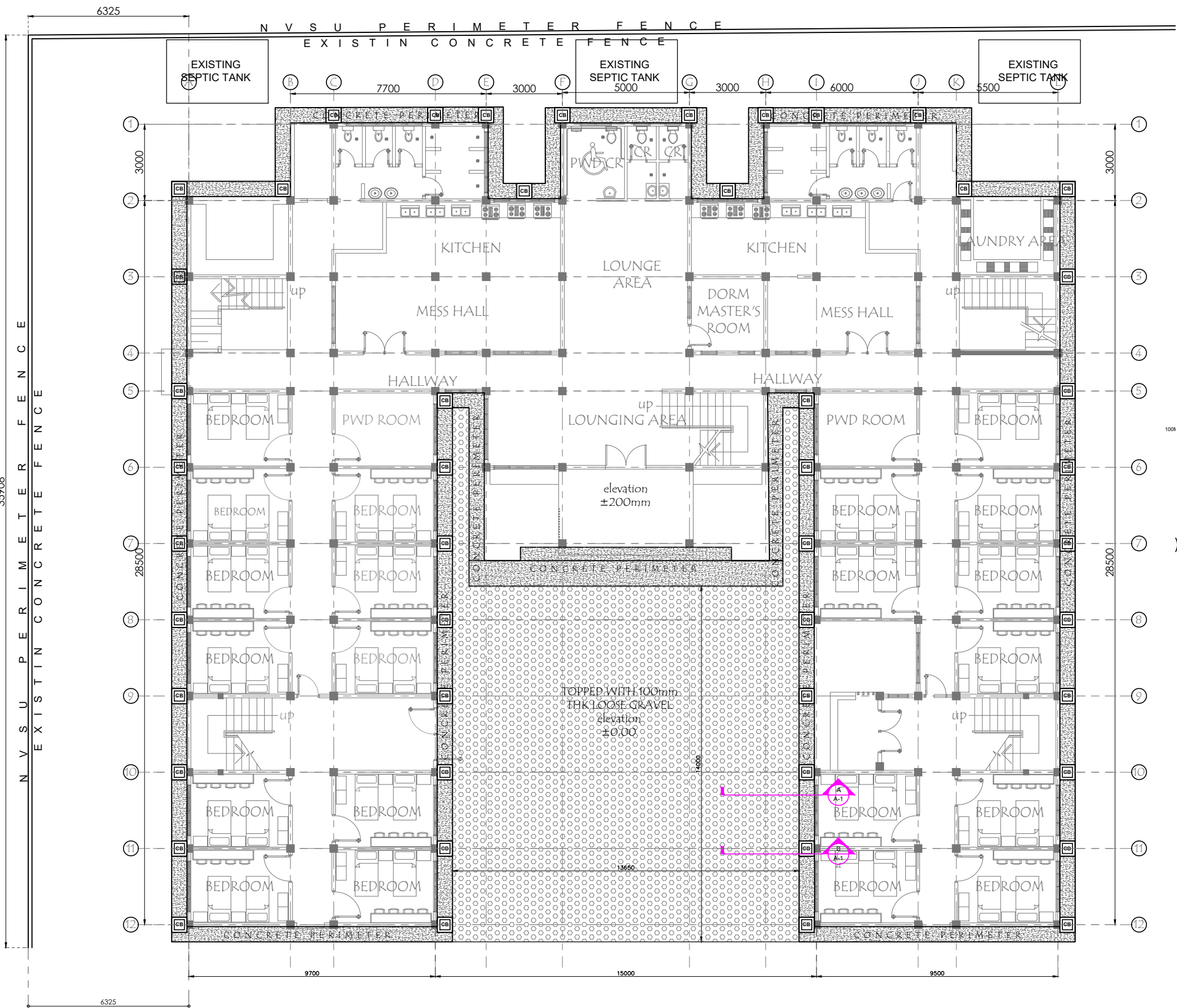


**A**  
H03  
SCALE NTS  
LOCATION MAP

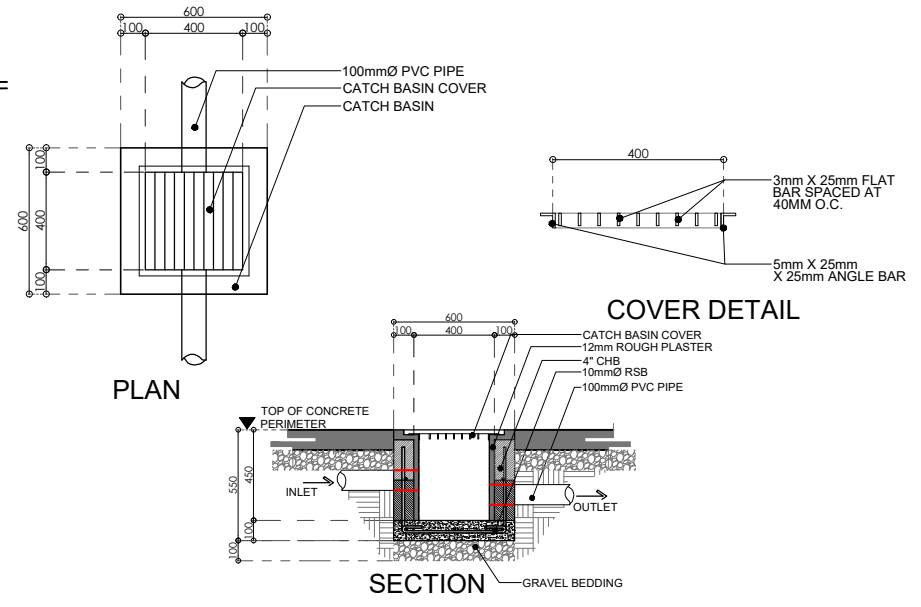
TABLE OF CONTENTS		Republic of the Philippines DEPARTMENT OF PUBLIC WORKS & HIGHWAYS TRANSPORTATION & COMMUNICATIONS <b>OFFICE OF THE BUILDING OFFICIAL</b>	
A-0	PERSPECTIVE VIEW VICINITY MAP LOCATION MAP	DISTRICT / CITY / MUNICIPALITY	
A-1	SITE DEVELOPMENT PLAN		
A-2	DEMOLITION/DISMANTLING PLAN (GF)		
A-3	DEMOLITION/DISMANTLING PLAN (2F)		
A-4	GROUND FLOOR PLAN		
A-5	SECOND FLOOR PLAN		
A-6	FRONT SIDE ELEVATION REAR SIDE ELEVATION		
A-7	RIGHT SIDE ELEVATION LEFT SIDE ELEVATION		
A-8	SECTION THRU A-A SECTION THRU B-B		
A-9	SCHEDULE OF WINDOWS		LAND USE & ZONING
A-10	SCHEDULE OF WINDOWS SCHEDULE OF DOORS		
A-11	RD:1 NEW FIRE EXIT AT FRONT DETAIL		
A-12	RD:1 CONCRETE RAILING DETAIL RD:1 STEEL LADDER DETAIL		
A-13	RD:1 STRUCTURAL DETAIL		
A-14	RD:2 STAIR RECTIFICATION DETAIL		
A-15	RD:3 RENOVATION OF LAUNDRY AREA		
A-16	RD:3 RENOVATION OF LAUNDRY AREA		
A-17	RD:3 RENOV. OF LAUNDRY AREA DETAIL		
A-17	RD:4 NEW PWD RAMP		
A-18	RD:5 NEW FIRE EXIT AT REAR		
A-19	RD:5 NEW FIRE EXIT AT REAR		
E-1	GROUND FLR. LIGHTING LAYOUT	ARCHITECTURAL	
E-2	GF EMERGENCY LIGHTING LAYOUT		
E-3	2ndF EMERGENCY LIGHTING LAYOUT		
E-4	CONCRETE POLE DETAIL		
FDAS -1	GROUND FLOOR FDAS LAYOUT		
FDAS -2	SECOND FLOOR FDAS LAYOUT		
FDAS -3	GROUND FLOOR FIRE EXT. LAYOUT		
FDAS -4	SECOND FLOOR FIRE EXT. LAYOUT		
FDAS -5	FDAS SINGLE LINE DIAGRAM		
FDAS -5	SECOND FLOOR FIRE EXT. LAYOUT		
FDAS -6	FIRE EXTINGUISHER DETAIL		
	DETECTOR INSTALLATION DETAIL FDAS DEVICE INSTALLATION DETAIL GENERAL NOTES & INSTALLATION	STRUCTURAL	
P-1	WATERLINE LAYOUT		
P-2	WATERLINE ISOMETRIC VIEW		
P-3	SEWERLINE LAYOUT		
P-4	SEWERLINE ISOMETRIC VIEW		
			SANITARY
		ELECTRICAL	

SIGNED AND SEALED BY:	PROJECT AND LOCATION:	PREPARED BY:	SUBMITTED BY:	CONCURRED BY:	RECOMMENDING APPROVAL:	APPROVED BY:	SHEET NO:
 PRC REG NO: _____ VALID UNTIL: _____ PTR NO: _____ VALID UNTIL: _____ PLACE OF ISSUE: _____ DATE ISSUE: _____ TIN NO: _____	 <b>IMPROVEMENT OF PLGU IP LADIES DORM WITH FIXTURES</b> NUEVA VIZCAYA STATE UNIVERSITY, BAMBANG CAMPUS	<b>DENNIS RIO C. VALDEZ</b> Architect	<b>RANIEL PAOLO C. GUNDRAN</b> Architect	<b>OFELIA S. RUBIO</b> Chief, Infrastructure <b>EDWIN B. BARAL</b> Director, PPSDS (OIC)	<b>GERALD L. PEREZ</b> Campus Administrator	<b>CARLO F. VADIL</b> VP for Planning Development and Information System	<b>WILFREDO A. DUMALE, JR</b> University President

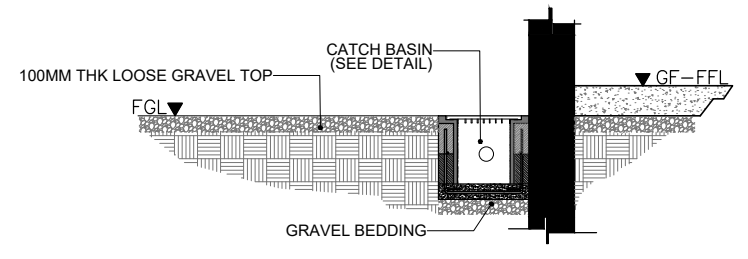




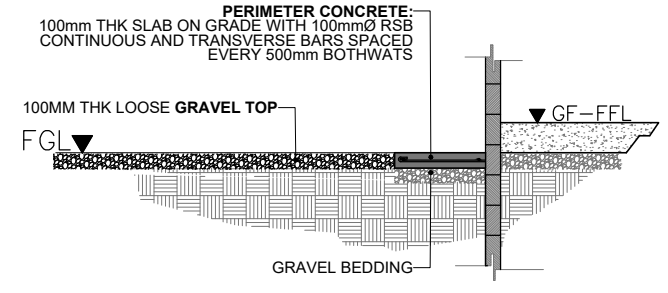
**A**  
**A-1** **SITE DEVELOPMENT PLAN**  
SCALE: 1:175m




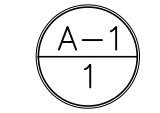
**B**  
**A-1** **CATCH BASIN DETAIL**  
SCALE: 1:50m

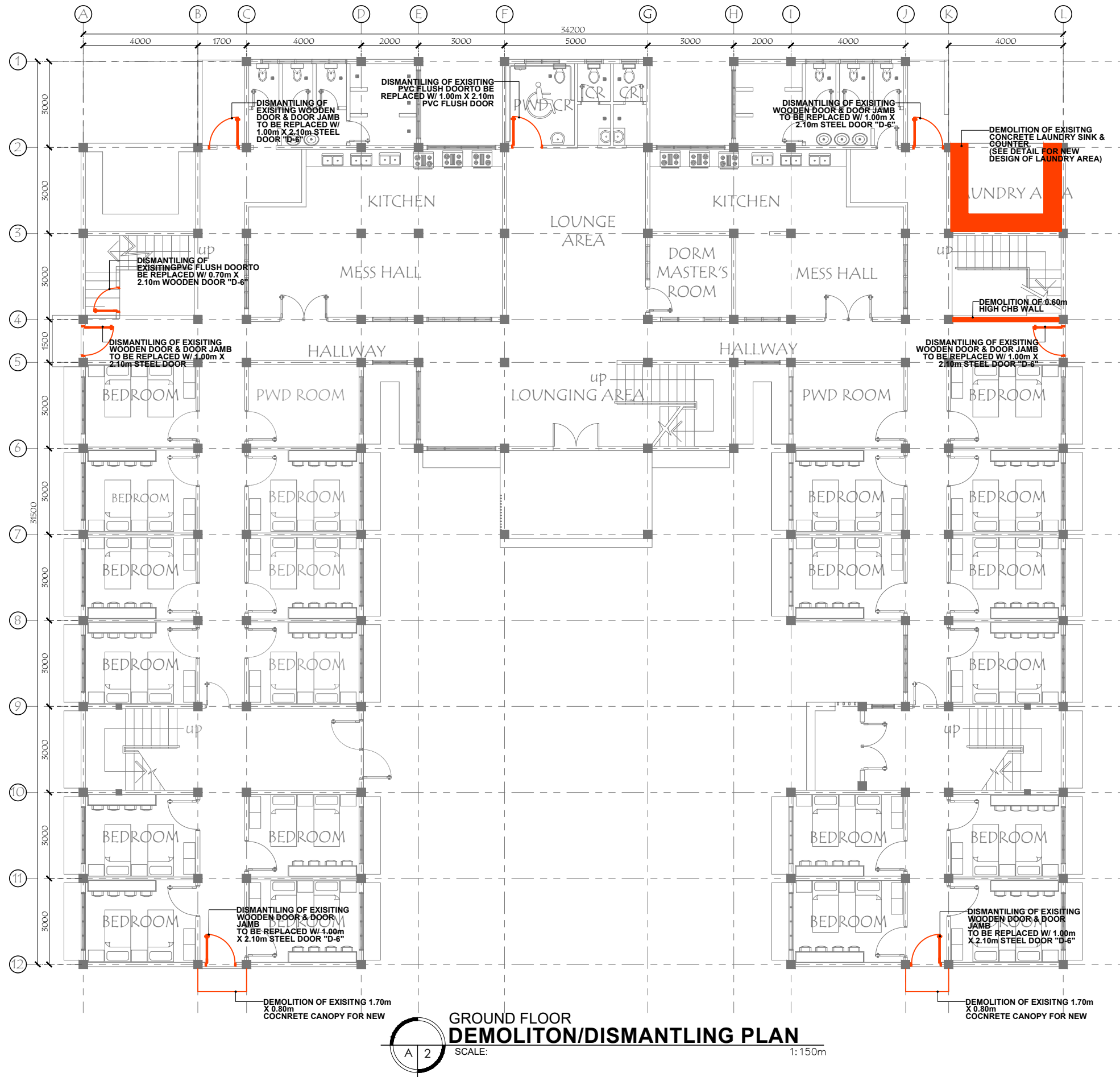


**C**  
**A-1** **SECTION THRU B-A1**  
SCALE: 1:50m



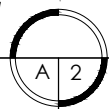
**D**  
**A-1** **SECTION THRU A-A1**  
SCALE: 1:50m


SIGNED AND SEALED BY:	PROJECT AND LOCATION:	PREPARED BY:	SUBMITTED BY:	CONCURRED BY:	RECOMMENDING APPROVAL:	APPROVED BY:	SHEET NO:
PRC REG NO: _____ VALID UNTIL: _____ PTR NO: _____ VALID UNTIL: _____ PLACE OF ISSUE: _____ DATE ISSUE: _____ TIN NO: _____	 <b>IMPROVEMENT OF PLGU IP LADIES DORM WITH FIXTURES</b> NUEVA VIZCAYA STATE UNIVERSITY, BAMBANG CAMPUS	<b>DENNIS RIO C. VALDEZ</b> Architect <b>RANIEL PAOLO C. GUNDRAN</b> Architect	<b>OFELIA S. RUBIO</b> Chief, Infrastructure <b>EDWIN B. BARAL</b> Director, PPSDS (OIC)	<b>GERALD L. PEREZ</b> Campus Administrator	<b>CARLO F. VADIL</b> VP for Planning Development and Information System	<b>WILFREDO A. DUMALE, JR</b> University President	

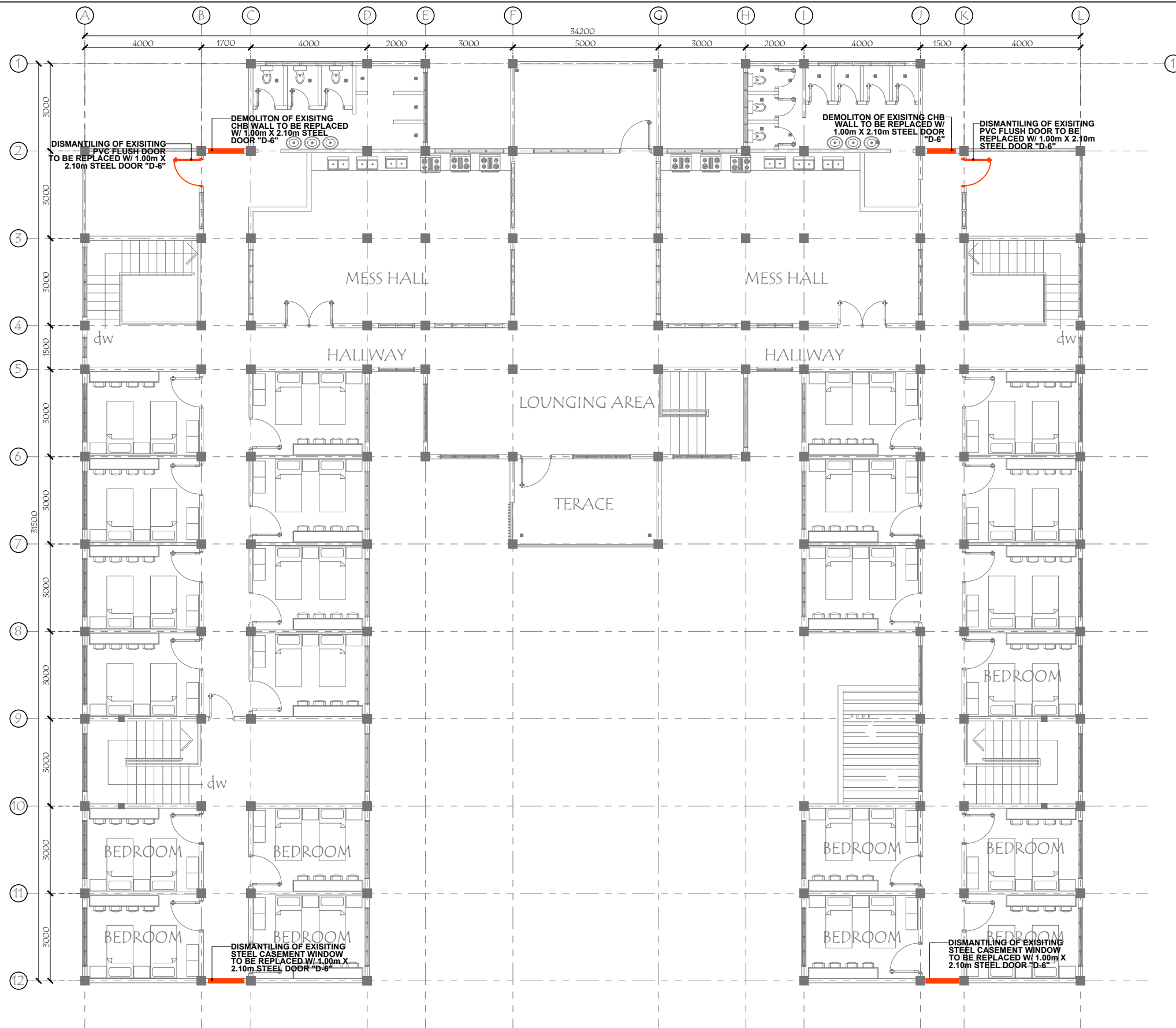


**GROUND FLOOR  
DEMOLITION/DISMANTLING PLAN**

SCALE: 1:150m



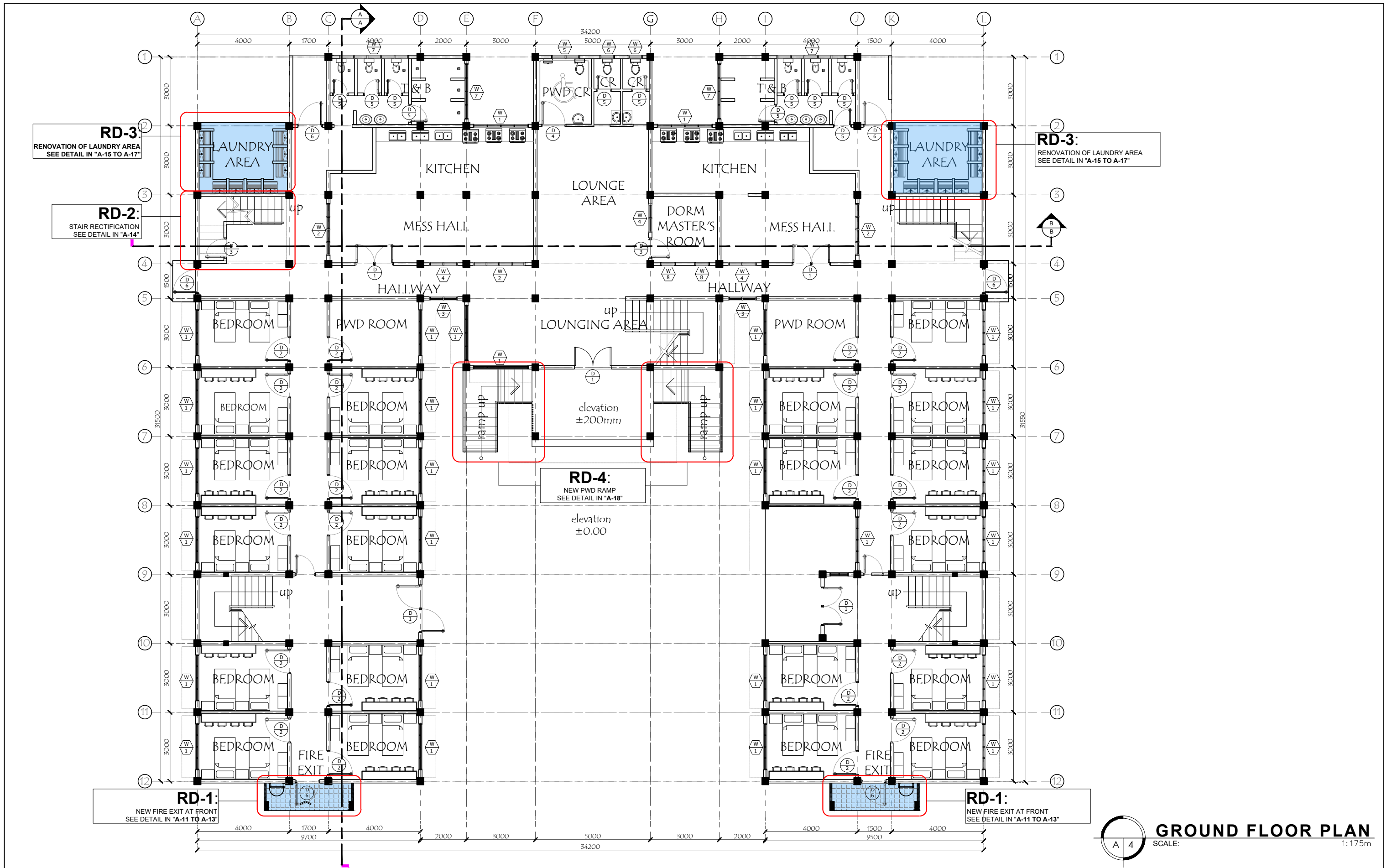
SIGNED AND SEALED BY:	PROJECT AND LOCATION:	PREPARED BY:	SUBMITTED BY:	CONCURRED BY:	RECOMMENDING APPROVAL:	APPROVED BY:	SHEET NO:
PRC REG NO: _____ VALID UNTIL: _____ PTR NO: _____ VALID UNTIL: _____ PLACE OF ISSUE: _____ DATE ISSUE: _____ TIN NO: _____	 <p><b>IMPROVEMENT OF PLGU IP LADIES DORM WITH FIXTURES</b></p> <p>NUEVA VIZCAYA STATE UNIVERSITY, BAMBANG CAMPUS</p>	<p><b>DENNIS RIO C. VALDEZ</b> Architect</p> <p><b>RANIEL PAOLO C. GUNDRAN</b> Architect</p>	<p><b>OFELIA S. RUBIO</b> Chief, Infrastructure</p> <p><b>EDWIN B. BARAL</b> Director, PPSDS (OIC)</p>	<p><b>GERALD L. PEREZ</b> Campus Administrator</p>	<p><b>CARLO F. VADIL</b> VP for Planning Development and Information System</p>	<p><b>WILFREDO A. DUMALE, JR</b> University President</p>	<p>A-2 2</p>




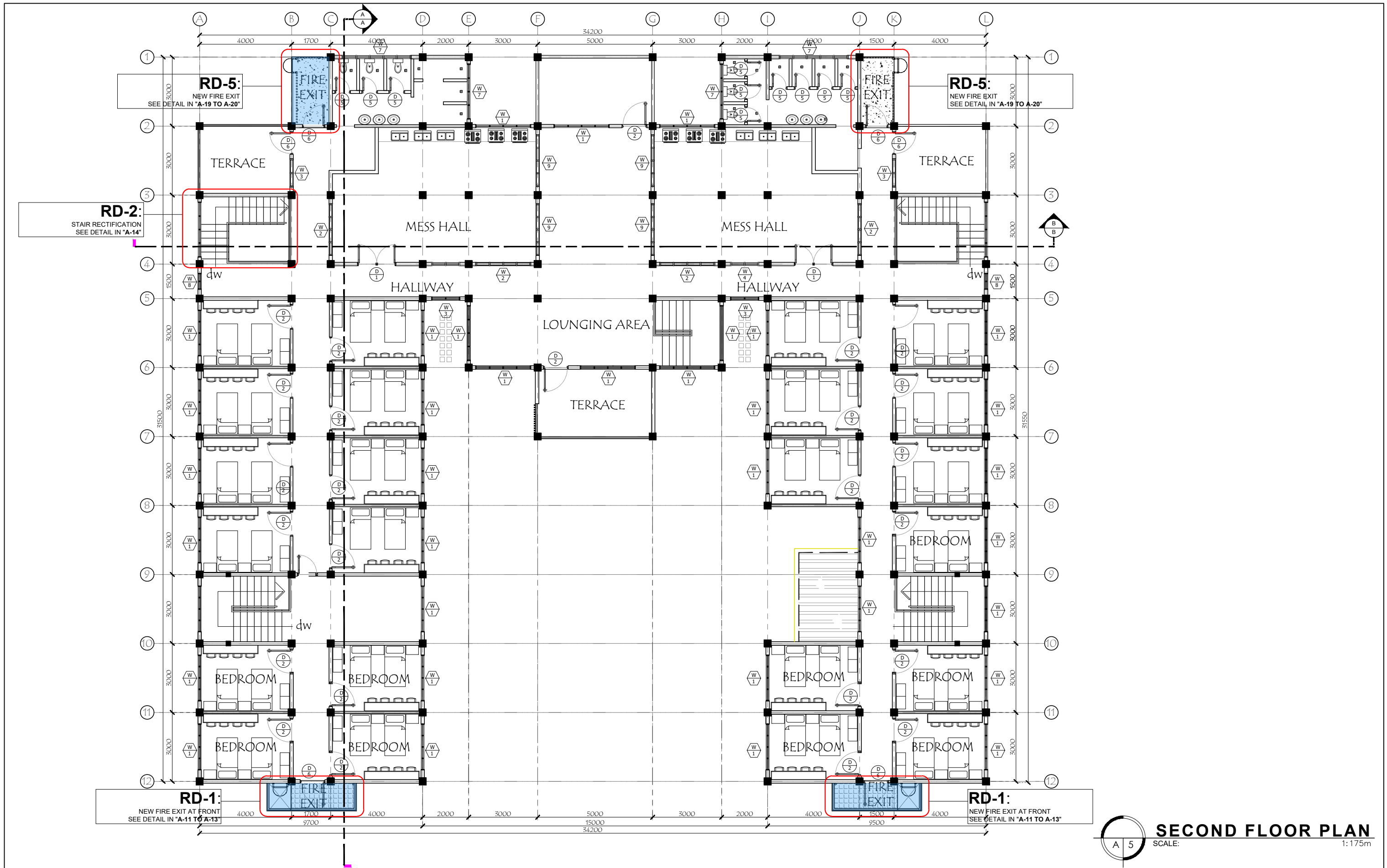
**SECOND FLOOR  
DEMOLITION/DISMANTLING PLAN**  
 SCALE: 1:150m

SIGNED AND SEALED BY:  PRC REG NO: _____ VALID UNTIL: _____ PTR NO: _____ VALID UNTIL: _____ PLACE OF ISSUE: _____ DATE ISSUE: _____ TIN NO: _____	PROJECT AND LOCATION:  <b>IMPROVEMENT OF PLGU IP LADIES DORM WITH FIXTURES</b>  NUEVA VIZCAYA STATE UNIVERSITY, BAMBANG CAMPUS	PREPARED BY:  <b>DENNIS RIO C. VALDEZ</b> Architect <b>RANIEL PAOLO C. GUNDRAN</b> Architect	SUBMITTED BY:  <b>OFELIA S. RUBIO</b> Chief, Infrastructure <b>EDWIN B. BARAL</b> Director, PPSDS (OIC)	CONCURRED BY:  <b>GERALD L. PEREZ</b> Campus Administrator	RECOMMENDING APPROVAL:  <b>CARLO F. VADIL</b> VP for Planning Development and Information System	APPROVED BY:  <b>WILFREDO A. DUMALE, JR</b> University President	SHEET NO:  
---	--	---	--	---	---	---	-------------------



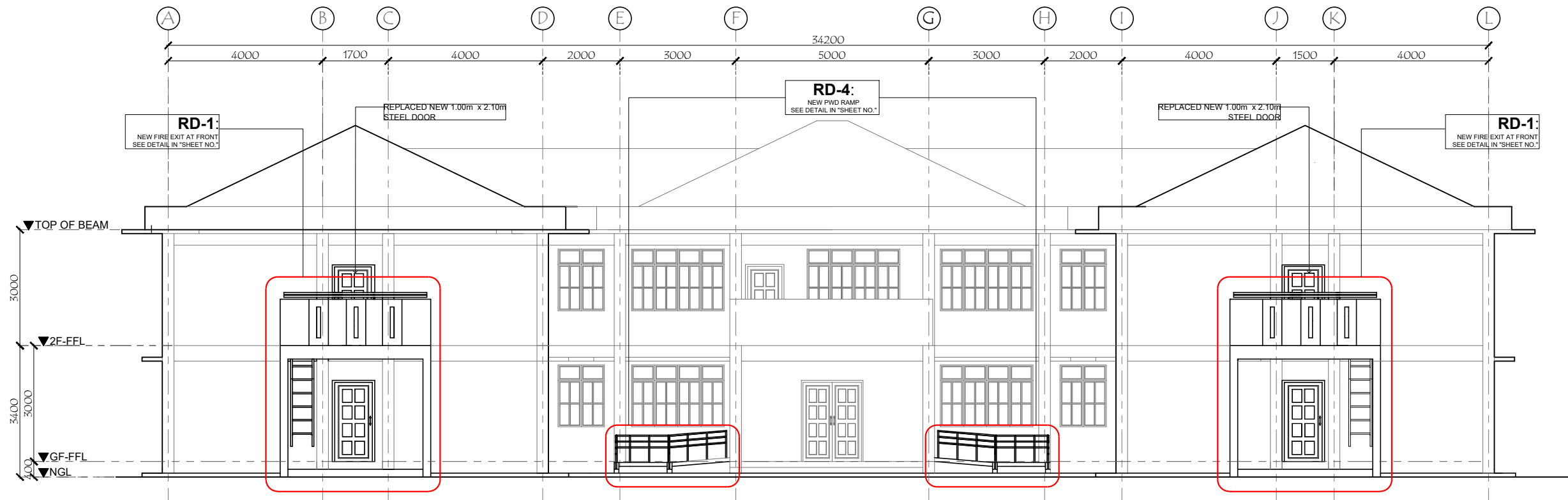


SIGNED AND SEALED BY:	PROJECT AND LOCATION:	PREPARED BY:	SUBMITTED BY:	CONCURRED BY:	RECOMMENDING APPROVAL:	APPROVED BY:	SHEET NO:
PRC REG NO: _____ VALID UNTIL: _____ PTR NO: _____ VALID UNTIL: _____ PLACE OF ISSUE: _____ DATE ISSUE: _____ TIN NO: _____	 <b>IMPROVEMENT OF PLGU IP LADIES DORM WITH FIXTURES</b> NUEVA VIZCAYA STATE UNIVERSITY, BAMBANG CAMPUS	<b>DENNIS RIO C. VALDEZ</b> Architect <b>RANIEL PAOLO C. GUNDRAN</b> Architect	<b>OFELIA S. RUBIO</b> Chief, Infrastructure <b>EDWIN B. BARAL</b> Director, PPSDS (OIC)	<b>GERALD L. PEREZ</b> Campus Administrator	<b>CARLO F. VADIL</b> VP for Planning Development and Information System	<b>WILFREDO A. DUMALE, JR</b> University President	A-4 4

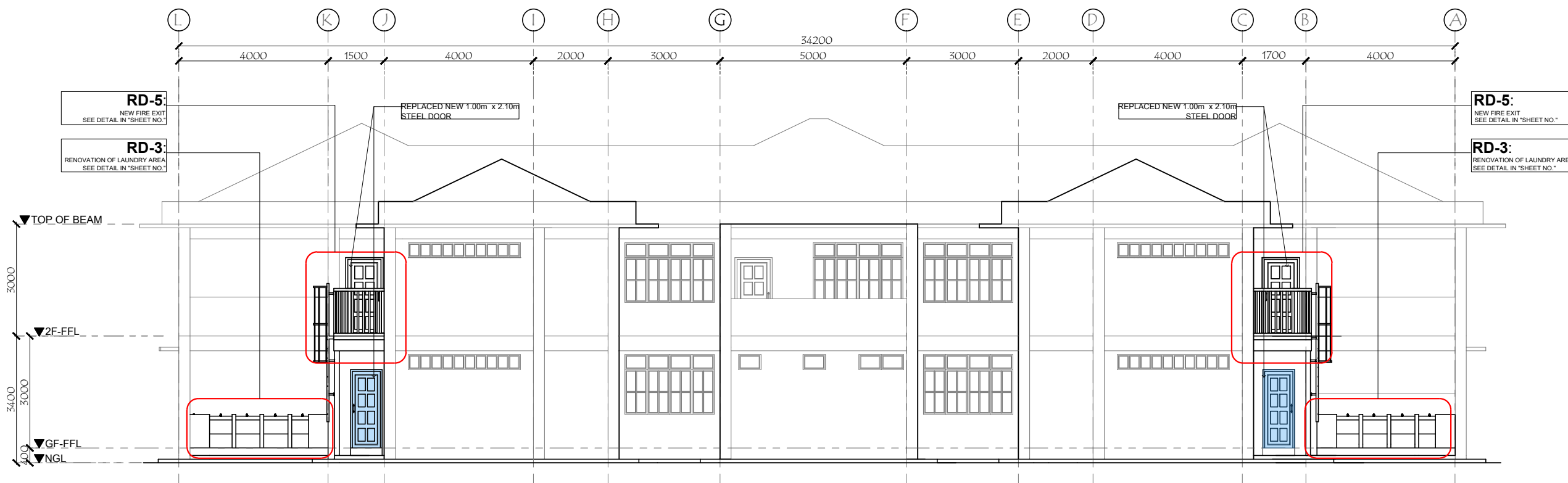


**SECOND FLOOR PLAN**  
 SCALE: 1:175m

SIGNED AND SEALED BY:  <small>PRC REG NO: _____ VALID UNTIL: _____          PTR NO: _____ VALID UNTIL: _____          PLACE OF ISSUE: _____ DATE ISSUE: _____          TIN NO: _____</small>	PROJECT AND LOCATION: <b>IMPROVEMENT OF PLGU IP LADIES DORM WITH FIXTURES</b> NUEVA VIZCAYA STATE UNIVERSITY, BAMBANG CAMPUS	PREPARED BY: <b>DENNIS RIO C. VALDEZ</b> <small>Architect</small> <b>RANIEL PAOLO C. GUNDRAN</b> <small>Architect</small>	SUBMITTED BY: <b>OFELIA S. RUBIO</b> <small>Chief, Infrastructure</small> <b>EDWIN B. BARAL</b> <small>Director, PPSDS (OIC)</small>	CONCURRED BY: <b>GERALD L. PEREZ</b> <small>Campus Administrator</small>	RECOMMENDING APPROVAL: <b>CARLO F. VADIL</b> <small>VP for Planning Development and Information System</small>	APPROVED BY: <b>WILFREDO A. DUMALE, JR</b> <small>University President</small>	SHEET NO: <div style="border: 1px solid black; border-radius: 50%; width: 40px; height: 40px; display: flex; align-items: center; justify-content: center; margin: 0 auto;"> <span style="font-size: 24px; font-weight: bold;">A-5</span>  <span style="font-size: 24px; font-weight: bold;">5</span> </div>
--	--	---	--	--	--	--	---

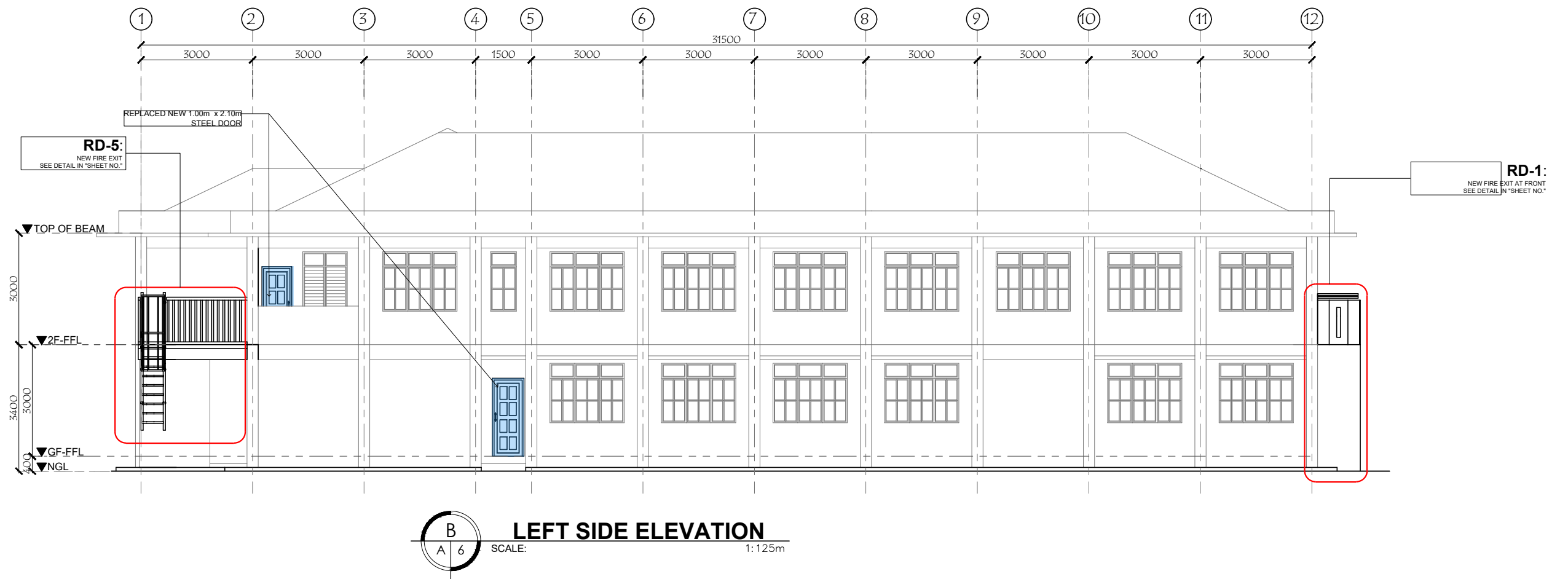
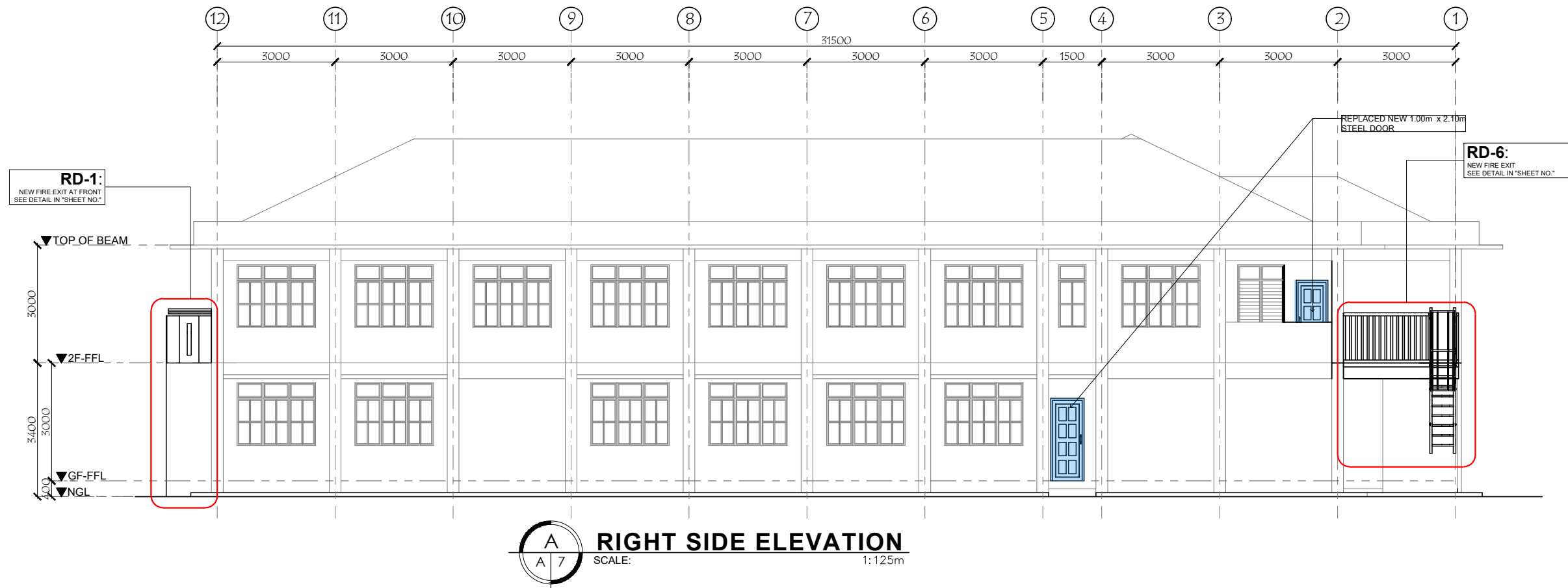




A  
A 6
**FRONT SIDE ELEVATION**  
 SCALE: 1:125m



B  
A 6
**REAR SIDE ELEVATION**  
 SCALE: 1:125m

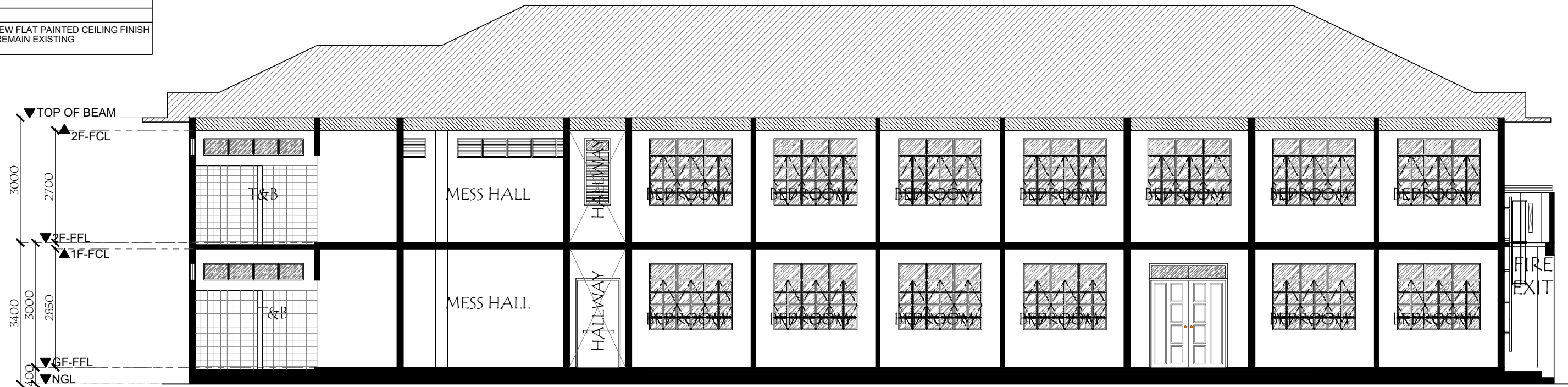
SIGNED AND SEALED BY:  PRC REG NO: _____ VALID UNTIL: _____ PTR NO: _____ VALID UNTIL: _____ PLACE OF ISSUE: _____ DATE ISSUE: _____ TIN NO: _____	PROJECT AND LOCATION:  <div style="text-align: center;">   <b>IMPROVEMENT OF PLGU IP LADIES DORM WITH FIXTURES</b>          NUEVA VIZCAYA STATE UNIVERSITY, BAMBANG CAMPUS       </div>	PREPARED BY:  <b>DENNIS RIO C. VALDEZ</b> Architect <b>RANIEL PAOLO C. GUNDRAN</b> Architect	SUBMITTED BY:  <b>OFELIA S. RUBIO</b> Chief, Infrastructure <b>EDWIN B. BARAL</b> Director, PPSDS (OIC)	CONCURRED BY:  <b>GERALD L. PEREZ</b> Campus Administrator	RECOMMENDING APPROVAL:  <b>CARLO F. VADIL</b> VP for Planning Development and Information System	APPROVED BY:  <b>WILFREDO A. DUMALE, JR</b> University President	SHEET NO:  <div style="text-align: center; border: 1px solid black; border-radius: 50%; width: 40px; height: 40px; margin: 0 auto; display: flex; align-items: center; justify-content: center;"> <span style="font-size: 1.2em;">A-6</span>  <span style="font-size: 1.2em;">6</span> </div>
---	---	---	--	--	---	---	---



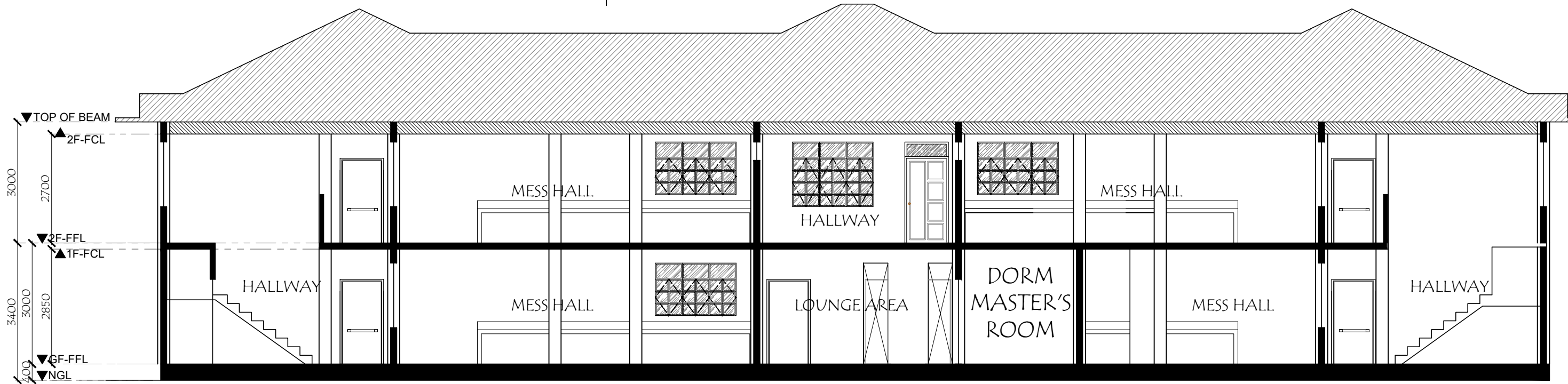
SIGNED AND SEALED BY:	PROJECT AND LOCATION:	PREPARED BY:	SUBMITTED BY:	CONCURRED BY:	RECOMMENDING APPROVAL:	APPROVED BY:	SHEET NO:
PRC REG NO: _____ VALID UNTIL: _____ PTR NO: _____ VALID UNTIL: _____ PLACE OF ISSUE: _____ DATE ISSUE: _____ TIN NO: _____	 <p><b>IMPROVEMENT OF PLGU IP LADIES DORM WITH FIXTURES</b>            NUEVA VIZCAYA STATE UNIVERSITY, BAMBANG CAMPUS</p>	<p><b>DENNIS RIO C. VALDEZ</b> Architect</p> <p><b>RANIEL PAOLO C. GUNDRAN</b> Architect</p>	<p><b>OFELIA S. RUBIO</b> Chief, Infrastructure</p> <p><b>EDWIN B. BARAL</b> Director, PPSDS (OIC)</p>	<p><b>GERALD L. PEREZ</b> Campus Administrator</p>	<p><b>CARLO F. VADIL</b> VP for Planning Development and Information System</p>	<p><b>WILFREDO A. DUMALE, JR</b> University President</p>	

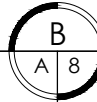



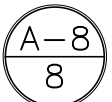
FINISHES	
FLOOR	POLISHED CONCRETE FINISH
WALL	INTERIOR: NEW SEMI GLOSS PAINTED WALL FINISH EXTERIOR: REMAIN EXISTING
CEILING	INTERIOR: NEW FLAT PAINTED CEILING FINISH EXTERIOR: REMAIN EXISTING

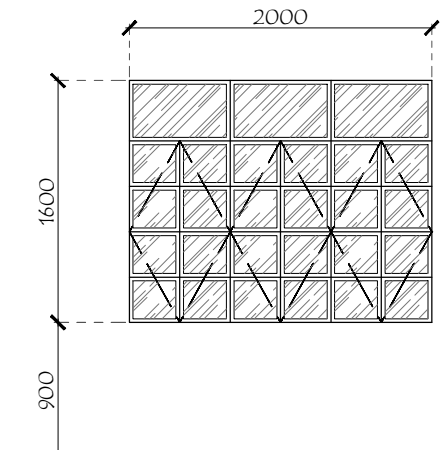
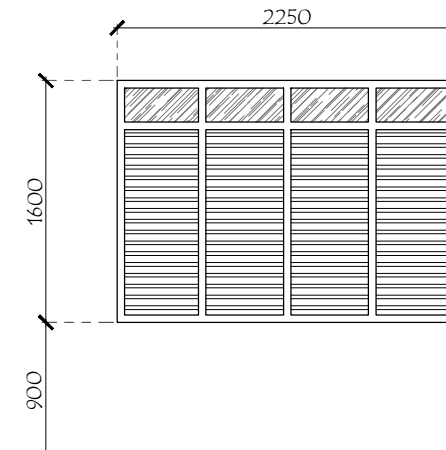
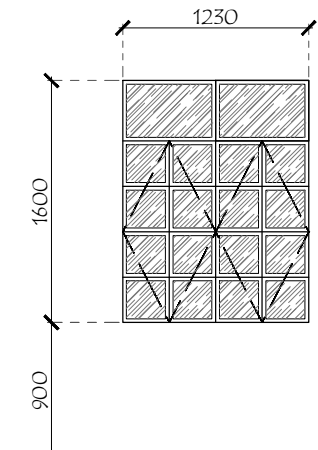
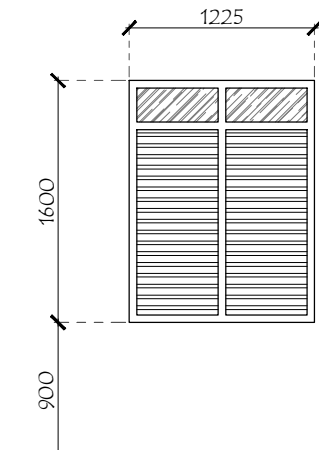


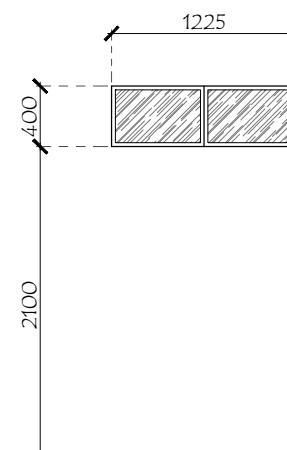
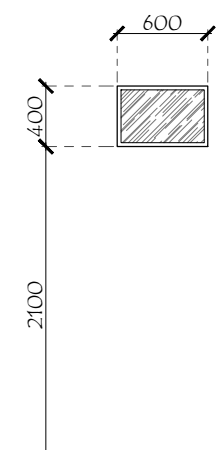
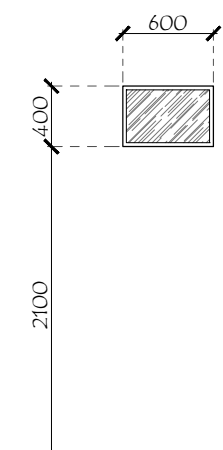
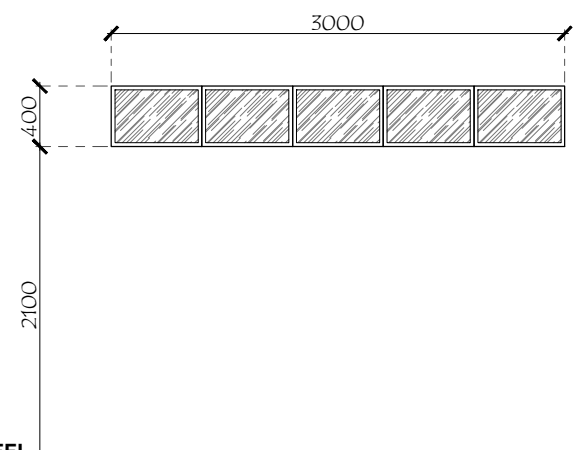

**SECTION THRU B-B**  
 SCALE: 1:100m




**SECTION THRU A-A**  
 SCALE: 1:100m


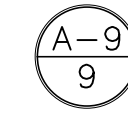
SIGNED AND SEALED BY:	PROJECT AND LOCATION:	PREPARED BY:	SUBMITTED BY:	CONCURRED BY:	RECOMMENDING APPROVAL:	APPROVED BY:	SHEET NO:
_____ <small>PRC REG NO: _____ VALID UNTIL: _____            PTR NO: _____ VALID UNTIL: _____            PLACE OF ISSUE: _____ DATE ISSUE: _____            TIN NO: _____</small>	 <b>IMPROVEMENT OF PLGU IP LADIES DORM WITH FIXTURES</b> NUEVA VIZCAYA STATE UNIVERSITY, BAMBANG CAMPUS	<b>DENNIS RIO C. VALDEZ</b> <small>Architect</small> <b>RANIEL PAOLO C. GUNDRAN</b> <small>Architect</small>	<b>OFELIA S. RUBIO</b> <small>Chief, Infrastructure</small> <b>EDWIN B. BARAL</b> <small>Director, PPSDS (OIC)</small>	<b>GERALD L. PEREZ</b> <small>Campus Administrator</small>	<b>CARLO F. VADIL</b> <small>VP for Planning Development and Information System</small>	<b>WILFREDO A. DUMALE, JR</b> <small>University President</small>	

ELEVATION				
SPECIFICATION	<p>WINDOW TYPE: EXISTING STEEL CASEMENT WINDOW WINDOW SIZE (w x H): AS SHOWN NO. OF WINDOW: 58 SETS</p> <p style="text-align: center;">W 1</p>	<p>WINDOW TYPE: EXISTING JALOUSIE WINDOW WINDOW SIZE (w x H): AS SHOWN NO. OF WINDOW: 7 SETS</p> <p style="text-align: center;">W 2</p>	<p>WINDOW TYPE: EXISTING STEEL CASEMENT WINDOW WINDOW SIZE (w x H): AS SHOWN NO. OF WINDOW: 4 SETS</p> <p style="text-align: center;">W 3</p>	<p>WINDOW TYPE: EXISTING JALOUSIE WINDOW WINDOW SIZE (w x H): AS SHOWN NO. OF WINDOW: 5 SETS</p> <p style="text-align: center;">W 4</p>

ELEVATION				
SPECIFICATION	<p>WINDOW TYPE: EXISTING STEEL AWNING WINDOW WINDOW SIZE (w x H): AS SHOWN NO. OF WINDOW: 5 SETS</p> <p style="text-align: center;">W 5</p>	<p>WINDOW TYPE: EXISTING STEEL AWNING WINDOW WINDOW SIZE (w x H): AS SHOWN NO. OF WINDOW: 2 SETS</p> <p style="text-align: center;">W 6</p>	<p>WINDOW TYPE: EXISTING STEEL AWNING WINDOW WINDOW SIZE (w x H): AS SHOWN NO. OF WINDOW: 2 SETS</p> <p style="text-align: center;">W 6</p>	<p>WINDOW TYPE: EXISTING STEEL AWNING WINDOW WINDOW SIZE (w x H): AS SHOWN NO. OF WINDOW: 8 SETS</p> <p style="text-align: center;">W 7</p>

**SCHEDULE OF WINDOWS**  
SCALE: 1:125m

**NOTE:**  
DISMANTLING OF EXISTING DOOR MAY OCCUR & INSTALLATION OF NEW DOORS ON RED MARKS.  
VERIFY DOOR DESIGN ON DESIGNER.

SIGNED AND SEALED BY:	PROJECT AND LOCATION:	PREPARED BY:	SUBMITTED BY:	CONCURRED BY:	RECOMMENDING APPROVAL:	APPROVED BY:	SHEET NO:
<p>PRC REG NO: _____ VALID UNTIL: _____</p> <p>PTR NO: _____ VALID UNTIL: _____</p> <p>PLACE OF ISSUE: _____ DATE ISSUE: _____</p> <p>TIN NO: _____</p>	 <p><b>IMPROVEMENT OF PLGU IP LADIES DORM WITH FIXTURES</b></p> <p>NUEVA VIZCAYA STATE UNIVERSITY, BAMBANG CAMPUS</p>	<p><b>DENNIS RIO C. VALDEZ</b> Architect</p> <p><b>RANIEL PAOLO C. GUNDRAN</b> Architect</p>	<p><b>OFELIA S. RUBIO</b> Chief, Infrastructure</p> <p><b>EDWIN B. BARAL</b> Director, PPSDS (OIC)</p>	<p><b>GERALD L. PEREZ</b> Campus Administrator</p>	<p><b>CARLO F. VADIL</b> VP for Planning Development and Information System</p>	<p><b>WILFREDO A. DUMALE, JR</b> University President</p>	

**ELEVATION**

**SPECIFICATION**

WINDOW TYPE: EXISTING JALOUSIE WINDOW  
 WINDOW SIZE (w x H): AS SHOWN  
 NO. OF WINDOW: 2 SETS

W  
8

**REPLACEMENTS OF  
BROKEN GLASS PANELS:**

no. of pcs	Dimension
7	0.55m x 0.10m
1	0.35m x 0.20m
1	0.25m x 0.40m
1	0.35m x 1.10m
1	0.30m x 0.25m

**ELEVATION**

**SPECIFICATION**

WINDOW TYPE: EXISTING JALOUSIE WINDOW  
 WINDOW SIZE (w x H): AS SHOWN  
 NO. OF WINDOW: 4 SETS

W  
9

**ELEVATION**

**SPECIFICATION**

DOOR TYPE: EXISTING DOUBLE SWING WOOD DOOR  
 DOOR SIZE (w x H): AS SHOWN  
 NO. OF DOOR: 7 SETS

D  
1

**ELEVATION**

**SPECIFICATION**

DOOR TYPE: EXISTING SINGLE SWING WOOD DOOR  
 DOOR SIZE (w x H): AS SHOWN  
 NO. OF DOOR: 56 SETS

D  
2

**ELEVATION**

**SPECIFICATION**

DOOR TYPE: **NEW WOODEN PANEL DOOR WITH FRAME, DOOR KNOB AND ACCESSORIES**  
 DOOR SIZE (w x H): AS SHOWN  
 NO. OF DOOR: **1 SET**

D  
3

**ELEVATION**

**SPECIFICATION**

DOOR TYPE: **NEW PVC DOOR WITH FRAME AND ACCESSORIES**  
 DOOR SIZE (w x H): AS SHOWN  
 NO. OF DOOR: **1 set**

D  
4

**ELEVATION**

**SPECIFICATION**

DOOR TYPE: EXISTING PVC DOOR WITH FRAME AND ACCESSORIES  
 DOOR SIZE (w x H): AS SHOWN  
 NO. OF DOOR: 22 SETS

D  
5

**ELEVATION**

**SPECIFICATION**

DOOR TYPE: **NEW FIRE EXIT DOOR**  
 DOOR SIZE (w x H): AS SHOWN  
 NO. OF DOOR: **12 sets**

D  
6

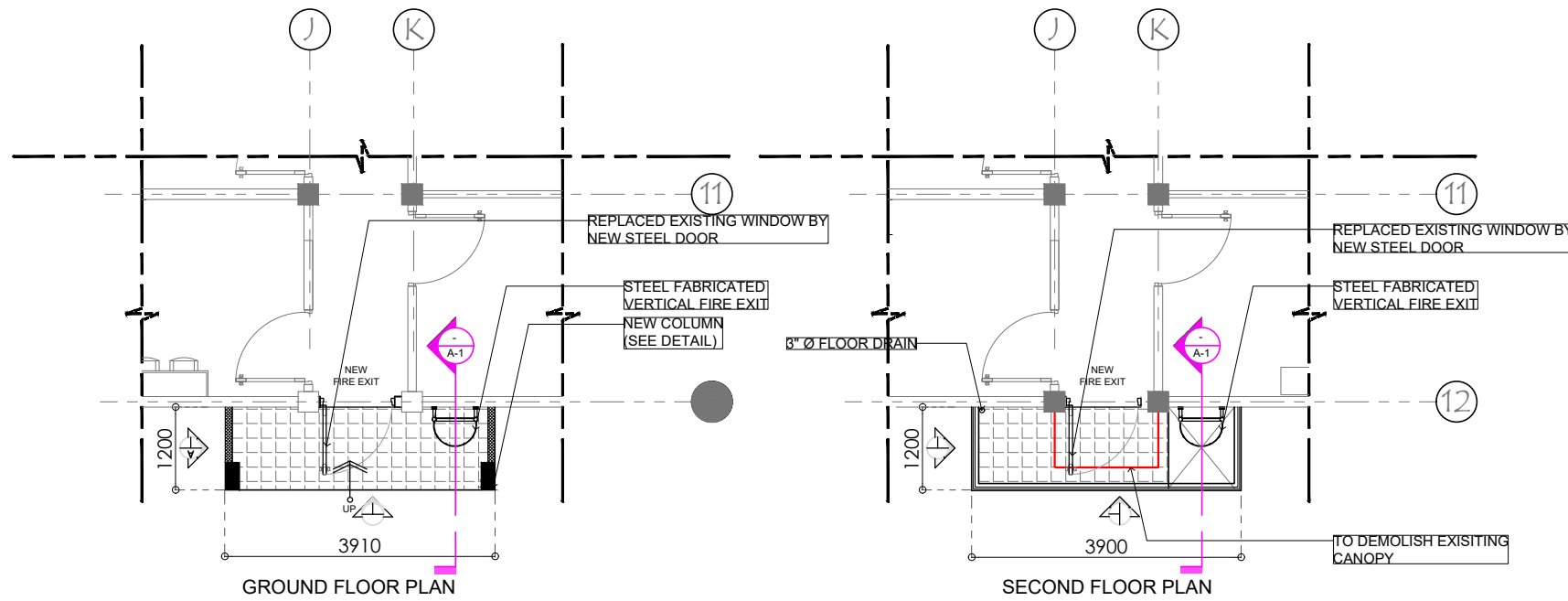
A  
A | 10  
**SCHEDULE OF WINDOWS**  
SCALE: 1:125m

B  
A | 10  
**SCHEDULE OF DOORS**  
SCALE: 1:50m

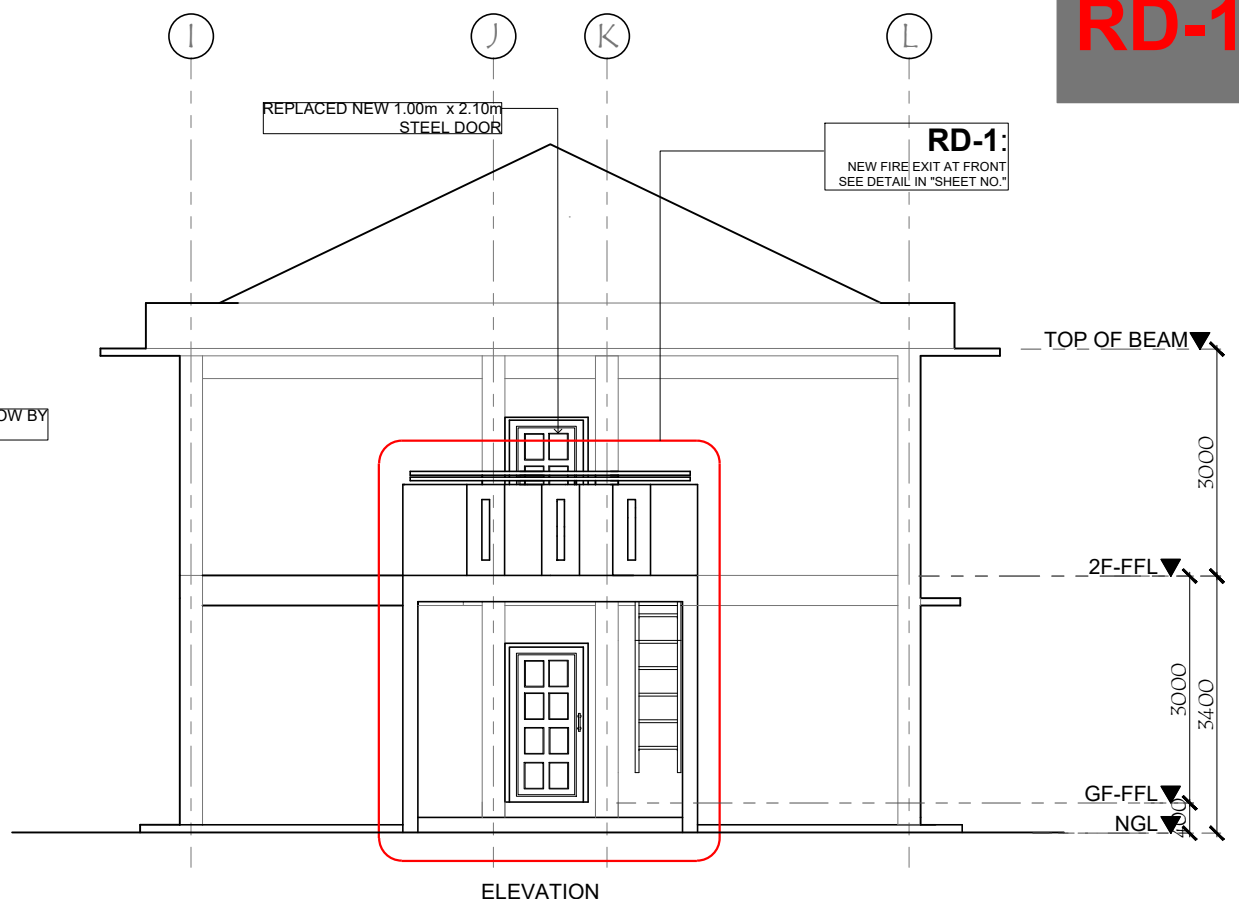
NOTE:  
DISMANTLING OF EXISTING DOOR MAY OCCUR & INSTALLATION OF NEW DOORS ON RED MARKS.  
VERIFY DOOR DESIGN ON DESIGNER.

SIGNED AND SEALED BY:	PROJECT AND LOCATION:	PREPARED BY:	SUBMITTED BY:	CONCURRED BY:	RECOMMENDING APPROVAL:	APPROVED BY:	SHEET NO:	
	<b>IMPROVEMENT OF PLGU IP LADIES DORM WITH FIXTURES</b> NUEVA VIZCAYA STATE UNIVERSITY, BAMBANG CAMPUS	<b>DENNIS RIO C. VALDEZ</b> <small>Architect</small>	<b>RANIEL PAOLO C. GUNDRAN</b> <small>Architect</small>	<b>OFELIA S. RUBIO</b> <small>Chief, Infrastructure</small>	<b>EDWIN B. BARAL</b> <small>Director, PPSDS (OIC)</small>	<b>GERALD L. PEREZ</b> <small>Campus Administrator</small>	<b>CARLO F. VADIL</b> <small>VP for Planning Development and Information System</small>	<b>WILFREDO A. DUMALE, JR</b> <small>University President</small>
PRC REG NO: _____ VALID UNTIL: _____ PTR NO: _____ VALID UNTIL: _____ PLACE OF ISSUE: _____ DATE ISSUE: _____ TIN NO: _____							<div style="border: 1px solid black; border-radius: 50%; width: 40px; height: 40px; display: flex; align-items: center; justify-content: center; margin: 0 auto;"> <span style="font-size: 24px; font-weight: bold;">A-10</span>  <span style="font-size: 24px; font-weight: bold;">10</span> </div>	

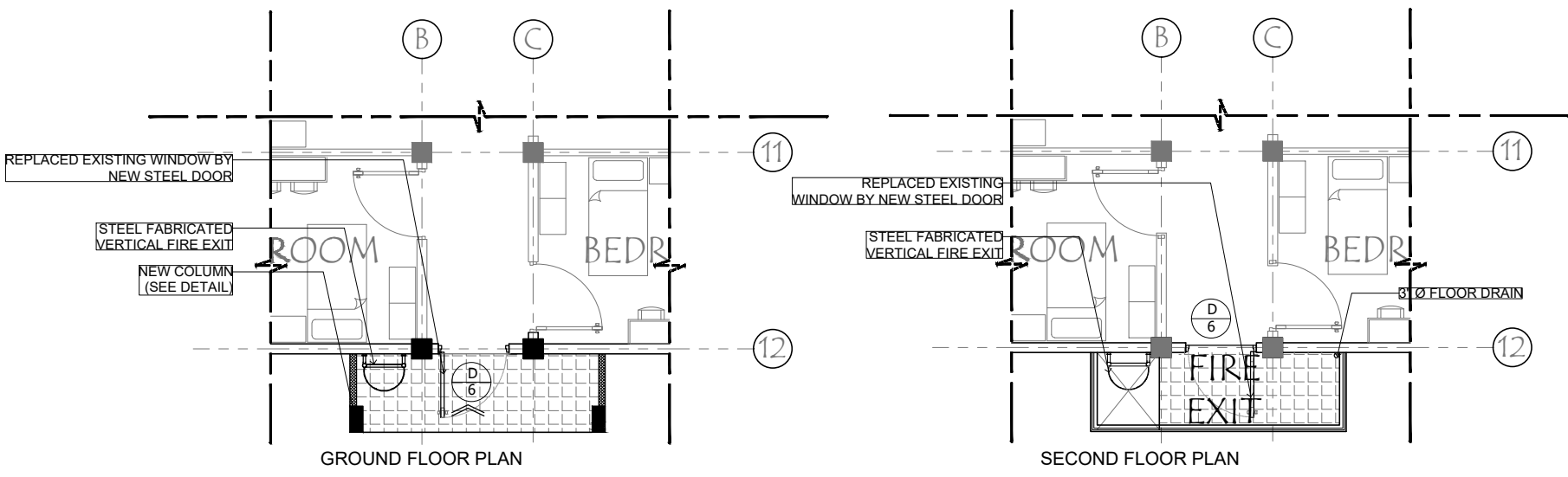




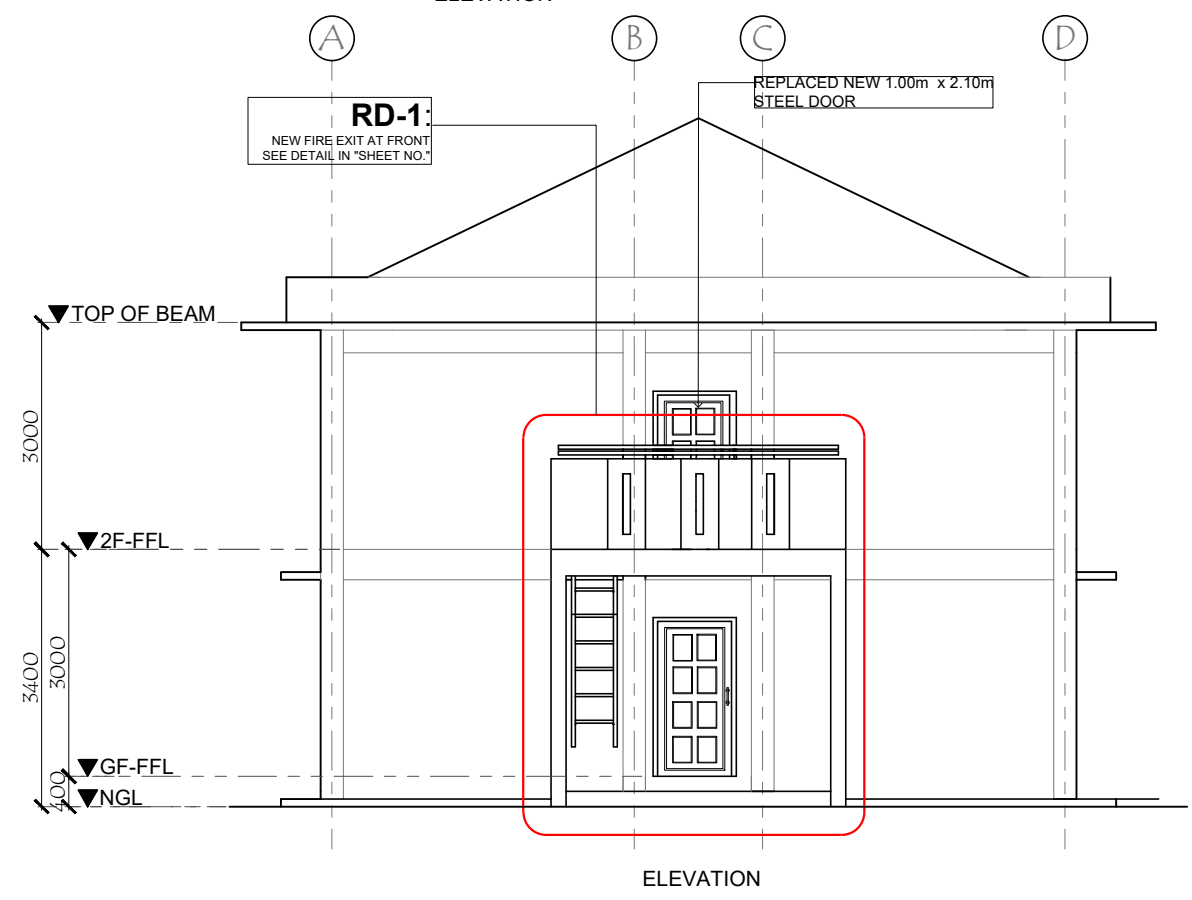
**RD-1: NEW FIRE EXIT AT FRONT OF RIGHT WING**  
 SCALE: 1:50m




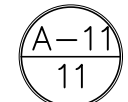
ELEVATION

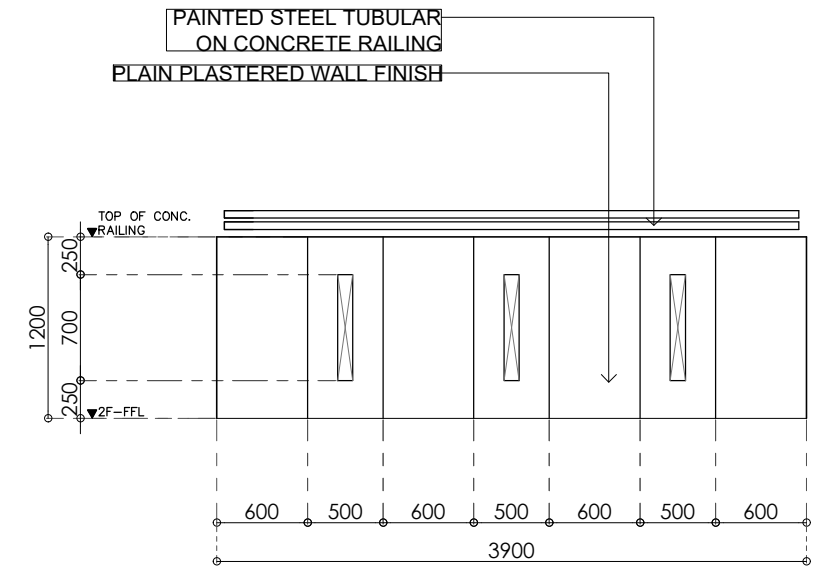
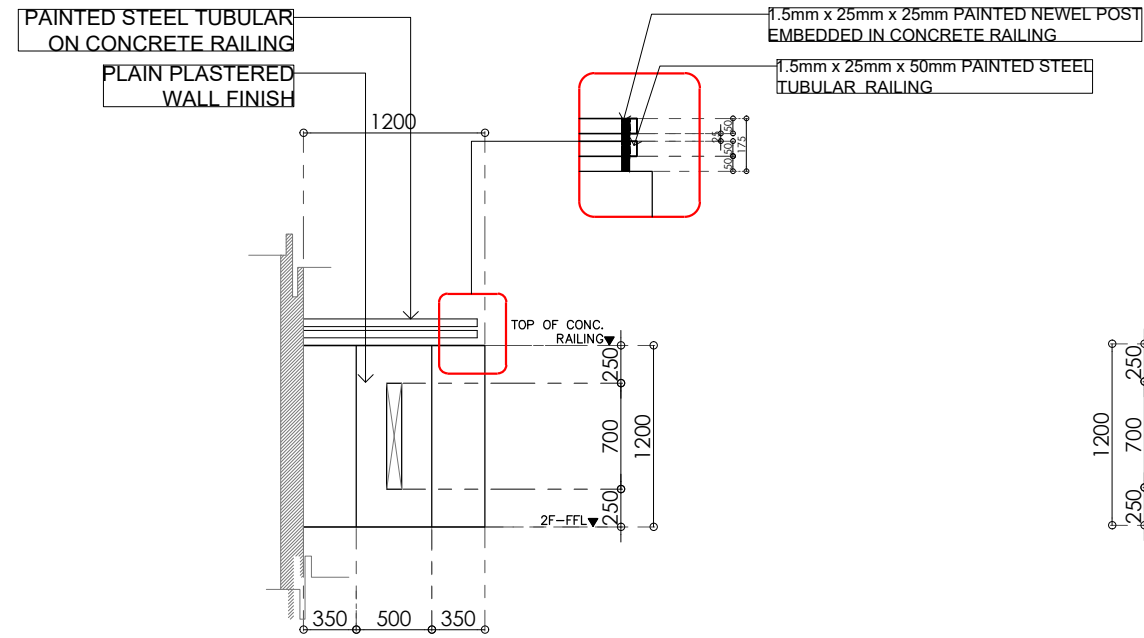
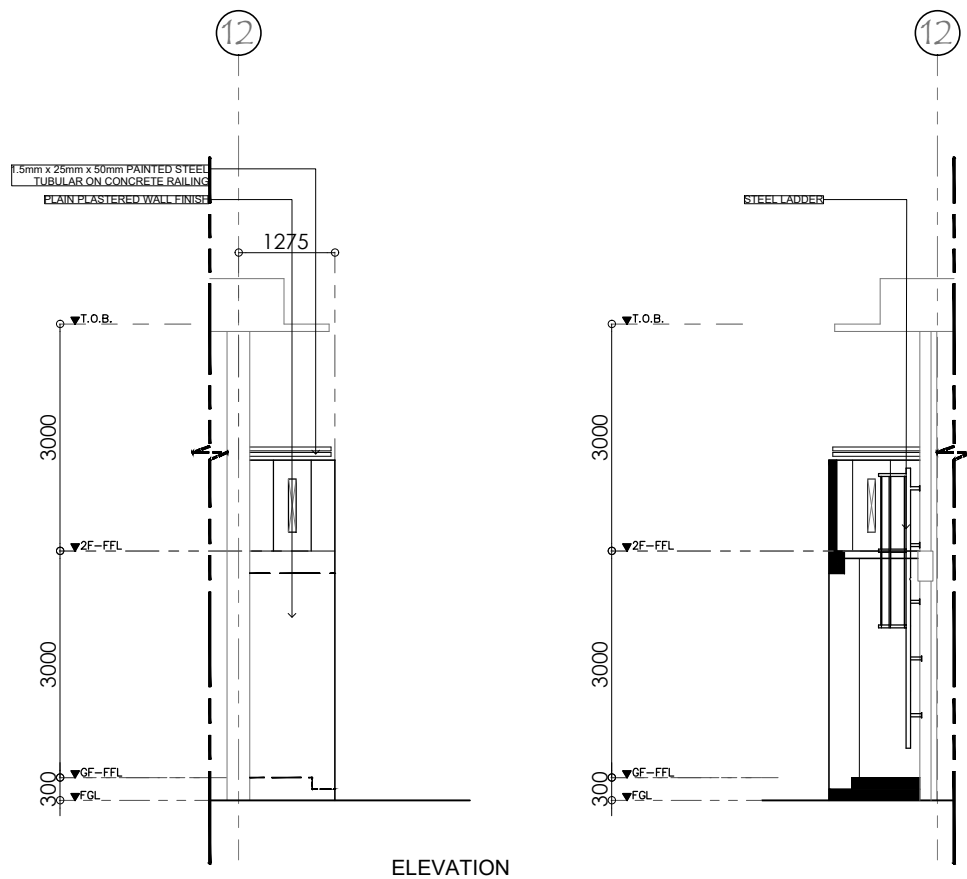


**RD-1: NEW FIRE EXIT AT FRONT OF LEFT WING**  
 SCALE: 1:50m



ELEVATION

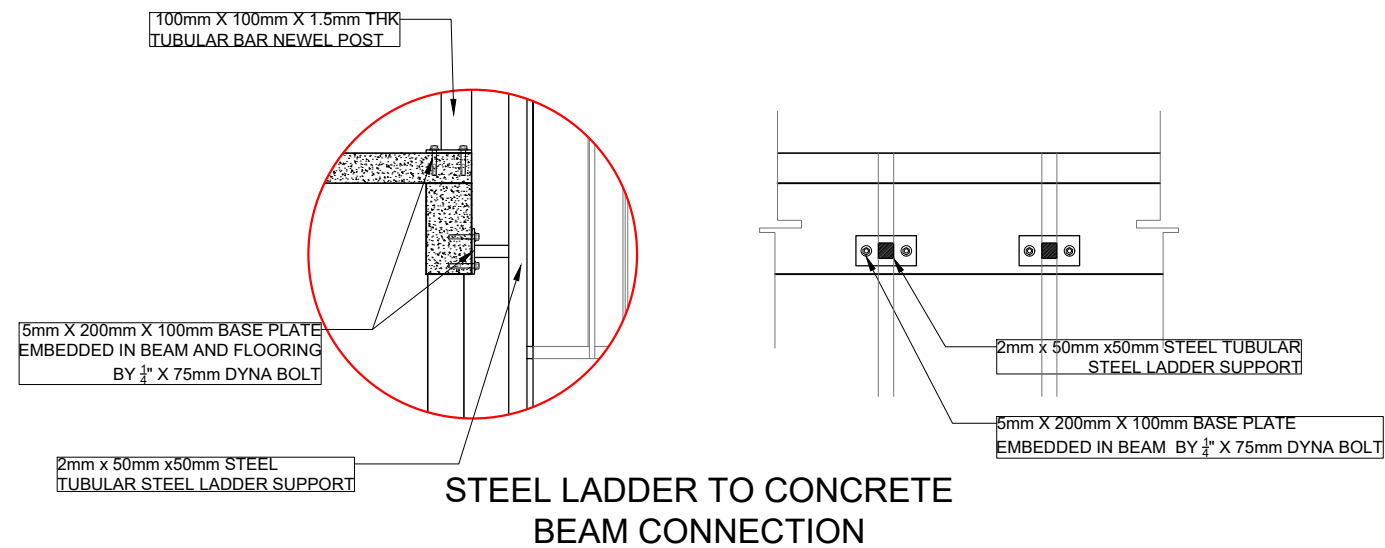
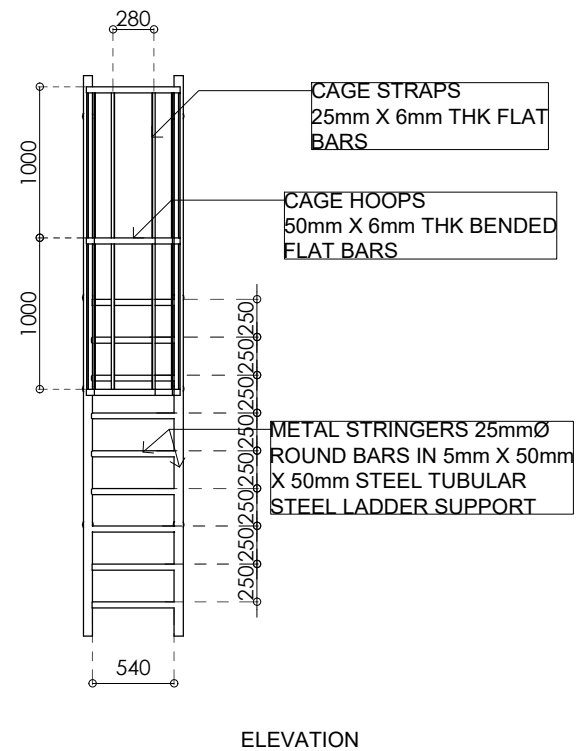
SIGNED AND SEALED BY:	PROJECT AND LOCATION:	PREPARED BY:	SUBMITTED BY:	CONCURRED BY:	RECOMMENDING APPROVAL:	APPROVED BY:	SHEET NO:
PRC REG NO: _____ VALID UNTIL: _____ PTR NO: _____ VALID UNTIL: _____ PLACE OF ISSUE: _____ DATE ISSUE: _____ TIN NO: _____	 <p><b>IMPROVEMENT OF PLGU IP LADIES DORM WITH FIXTURES</b>                  NUEVA VIZCAYA STATE UNIVERSITY, BAMBANG CAMPUS</p>	<p><b>DENNIS RIO C. VALDEZ</b> Architect</p> <p><b>RANIEL PAOLO C. GUNDRAN</b> Architect</p>	<p><b>OFELIA S. RUBIO</b> Chief, Infrastructure</p> <p><b>EDWIN B. BARAL</b> Director, PPSDS (OIC)</p>	<p><b>GERALD L. PEREZ</b> Campus Administrator</p>	<p><b>CARLO F. VADIL</b> VP for Planning Development and Information System</p>	<p><b>WILFREDO A. DUMALE, JR</b> University President</p>	



**RD-1 CONCRETE RAILING DETAIL**

SCALE: 1:50m


A 12



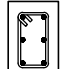
**RD-1 STEEL LADDER DETAIL**

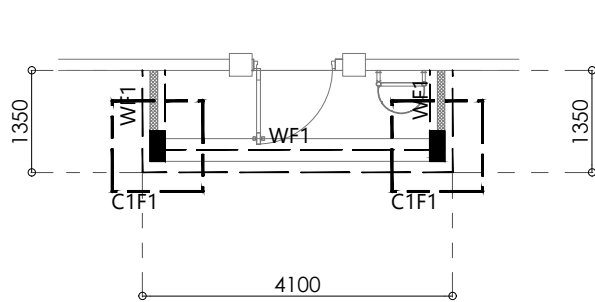
SCALE: 1:50m

A 12

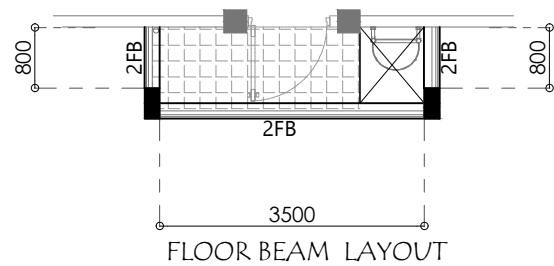
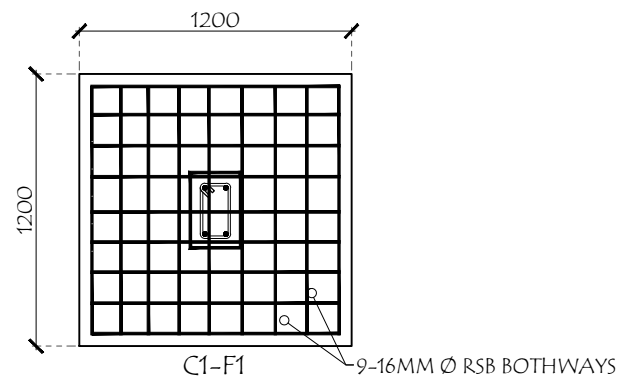
SIGNED AND SEALED BY:	PROJECT AND LOCATION:	PREPARED BY:	SUBMITTED BY:	CONCURRED BY:	RECOMMENDING APPROVAL:	APPROVED BY:	SHEET NO:
<p>PRC REG NO: _____ VALID UNTIL: _____</p> <p>PTR NO: _____ VALID UNTIL: _____</p> <p>PLACE OF ISSUE: _____ DATE ISSUE: _____</p> <p>TIN NO: _____</p>	 <p><b>IMPROVEMENT OF PLGU IP LADIES DORM WITH FIXTURES</b></p> <p>NUEVA VIZCAYA STATE UNIVERSITY, BAMBANG CAMPUS</p>	<p><b>DENNIS RIO C. VALDEZ</b> Architect</p> <p><b>RANIEL PAOLO C. GUNDRAN</b> Architect</p>	<p><b>OFELIA S. RUBIO</b> Chief, Infrastructure</p> <p><b>EDWIN B. BARAL</b> Director, PPSDS (OIC)</p>	<p><b>GERALD L. PEREZ</b> Campus Administrator</p>	<p><b>CARLO F. VADIL</b> VP for Planning Development and Information System</p>	<p><b>WILFREDO A. DUMALE, JR</b> University President</p>	<p>A-12</p> <p>12</p>

SCHEDULE OF FOOTING							
DESIGNATION	SIZE (mm)				REINFORCEMENT USE RSB GRADE 40 (FOOTING BARS)	DESCRIPTION	QUANTITY
	W	L	D	HT. OF EXCAVATION			
F1	1200	1200	350	1200	9 PCS x Ø16mm RSB bothways	Isolated Footing	4

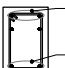



SCHEDULE OF COLUMNS						
COLUMN MARK	COLUMN DIMENSIONS (mm)		STEEL REINFORCEMENT		COLUMN DESIGNATION	TIES 10mm dia.
	WIDTH (B)	DEPTH (D)	REBARS (mm)			
C1	200	400	 6-16mm dia. RSB		FOUNDATION TO GROUND FLOOR	3@50mm, 5@100mm and REST @ 150mm O.C TOWARDS MIDSPAN

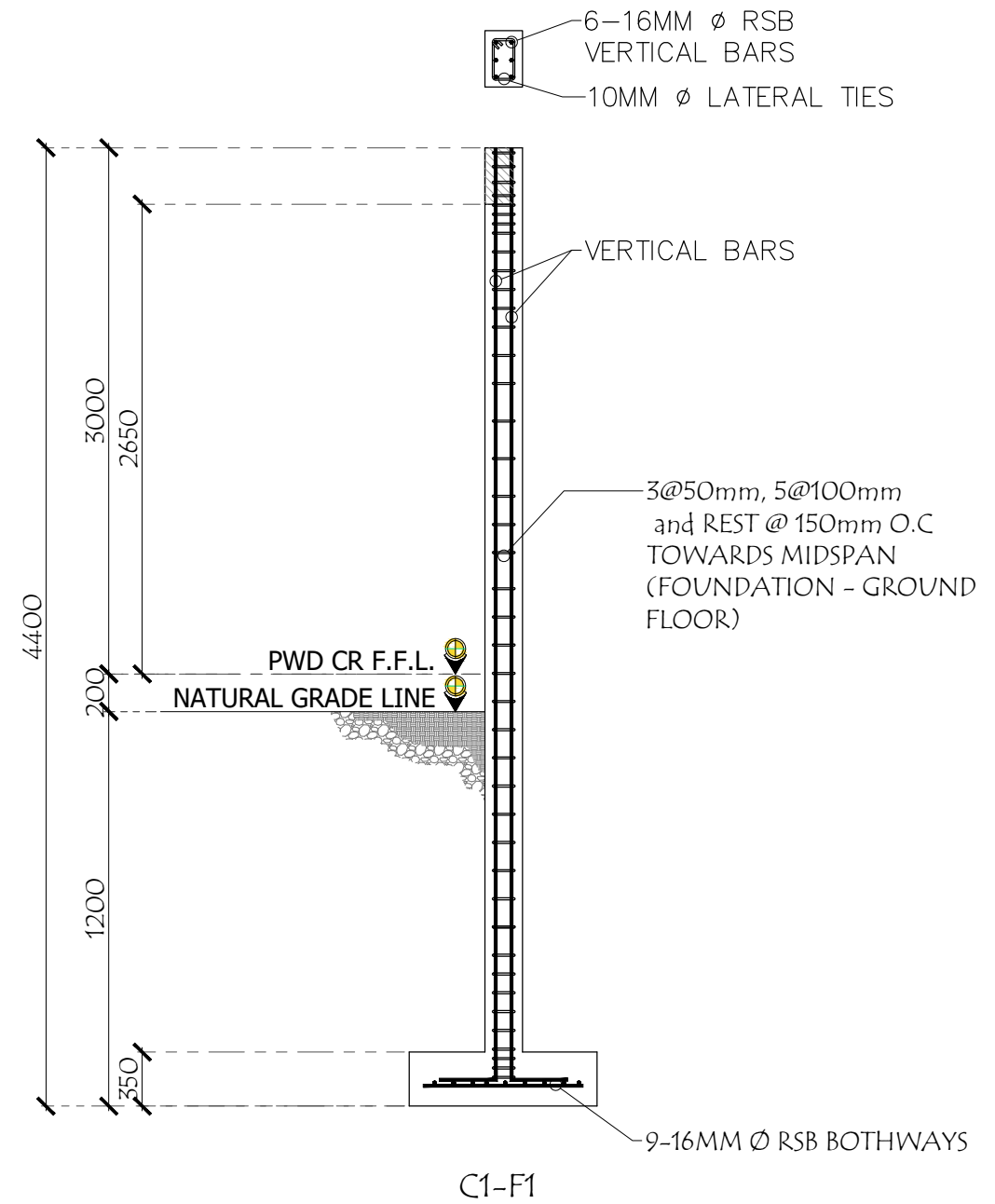


FOUNDATION PLAN





FLOOR BEAM LAYOUT

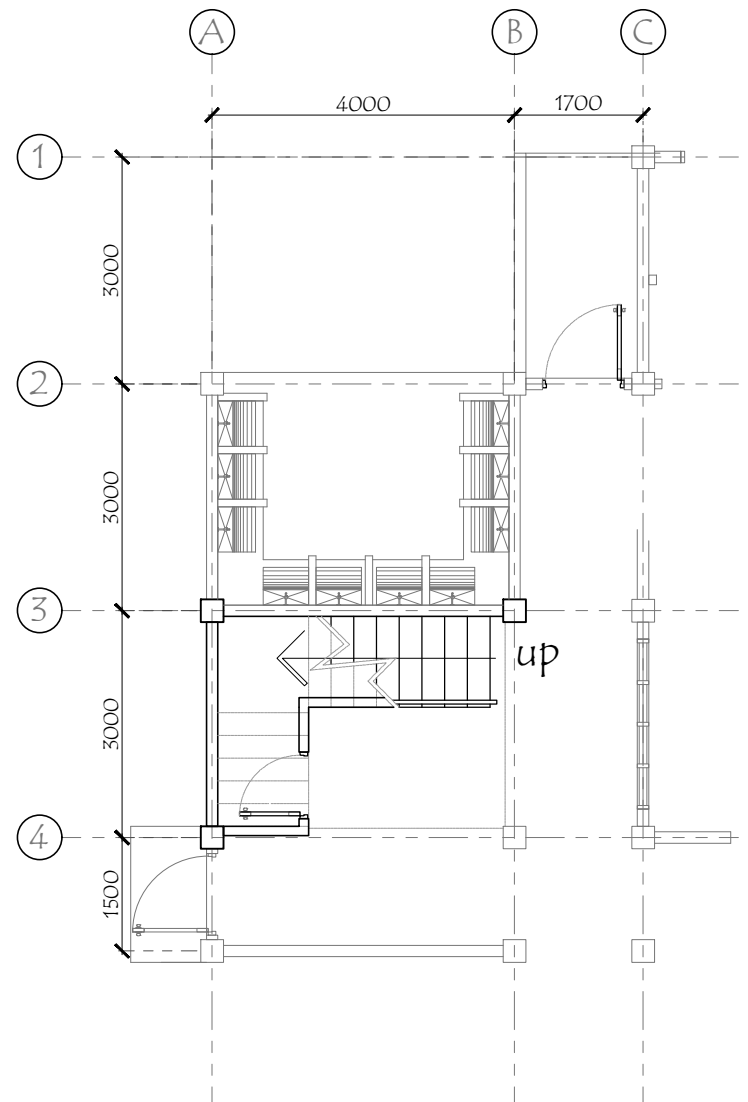
SCHEDULE OF BEAMS					
COLUMN MARK	BEAM DIMENSIONS (mm)		SECTION		STIRRUPS TIES / NOTES
	WIDTH (B)	DEPTH (D)	@ SUPPORT	@ MID SPAN	
2FB	200	350	 4 - 16MM Ø MAIN TOP BARS  2 - 16MM Ø MAIN BOTTOM BARS	 2 - 16MM MAIN TOP BARS  4 - 16MM MAIN BOTTOM BARS	10mm stirrups spaced at: 2 @ 0.05 m; 4 @ 0.075; 5 @ 0.10 m; 2 @ 0.15 m and rest @ 0.200 m o.c.



**RD-1 STRUCTURAL DETAIL**  
SCALE: 1:50m

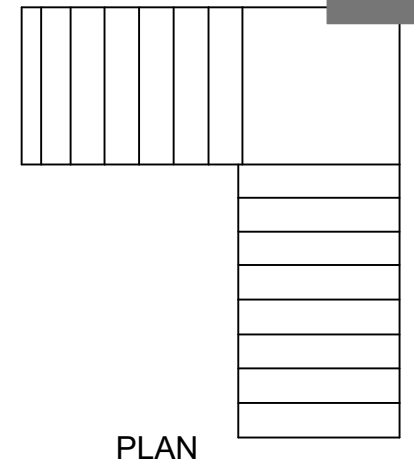
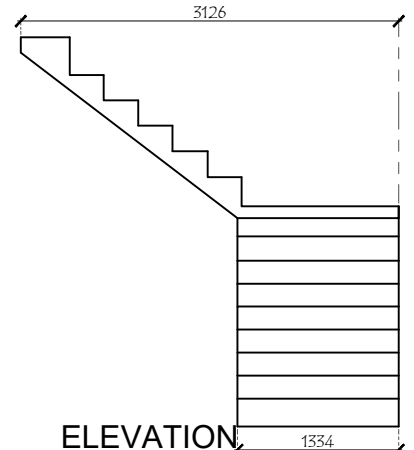
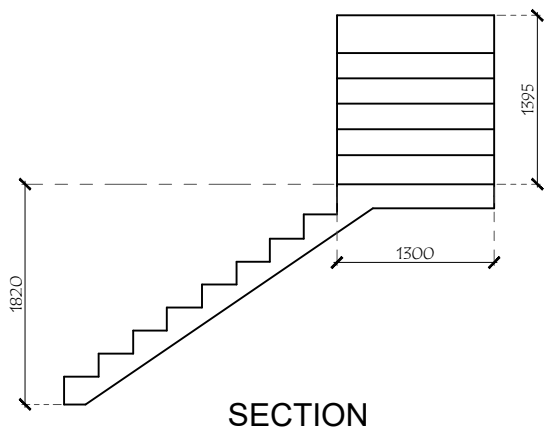
SIGNED AND SEALED BY:	PROJECT AND LOCATION:	PREPARED BY:	SUBMITTED BY:	CONCURRED BY:	RECOMMENDING APPROVAL:	APPROVED BY:	SHEET NO:	
	 <b>IMPROVEMENT OF PLGU IP LADIES DORM WITH FIXTURES</b> NUEVA VIZCAYA STATE UNIVERSITY, BAMBANG CAMPUS	<b>DENNIS RIO C. VALDEZ</b> Architect	<b>RANIEL PAOLO C. GUNDRAN</b> Architect	<b>OFELIA S. RUBIO</b> Chief, Infrastructure	<b>EDWIN B. BARAL</b> Director, PPSDS (OIC)	<b>GERALD L. PEREZ</b> Campus Administrator	<b>CARLO F. VADIL</b> VP for Planning Development and Information System	<b>WILFREDO A. DUMALE, JR</b> University President
PRC REG NO: _____ VALID UNTIL: _____ PTR NO: _____ VALID UNTIL: _____ PLACE OF ISSUE: _____ DATE ISSUE: _____ TIN NO: _____								



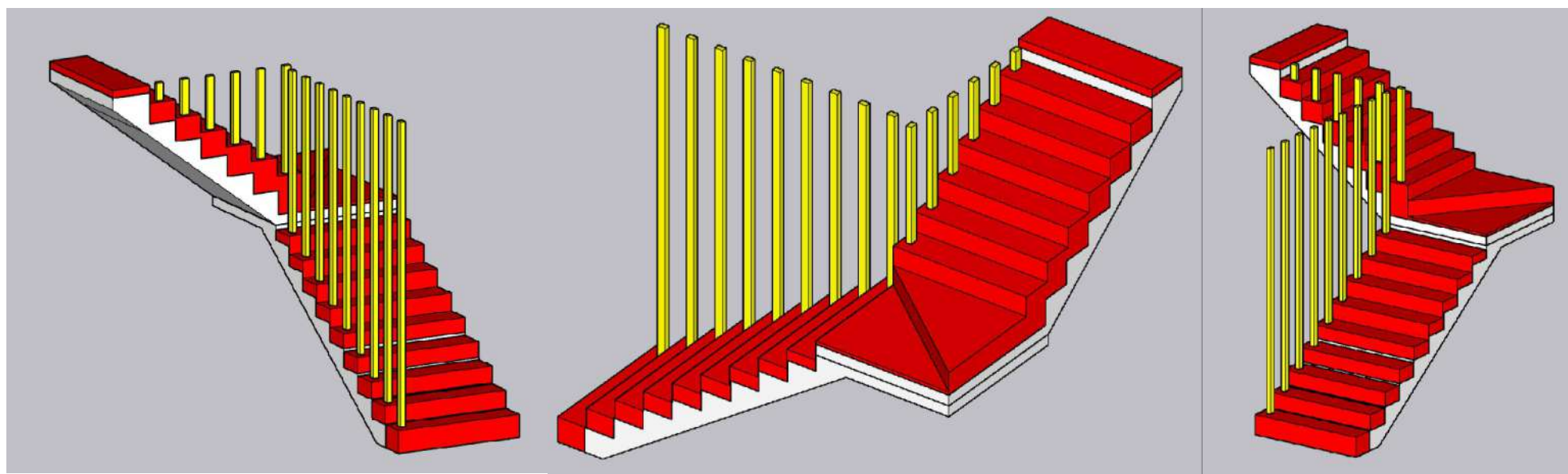
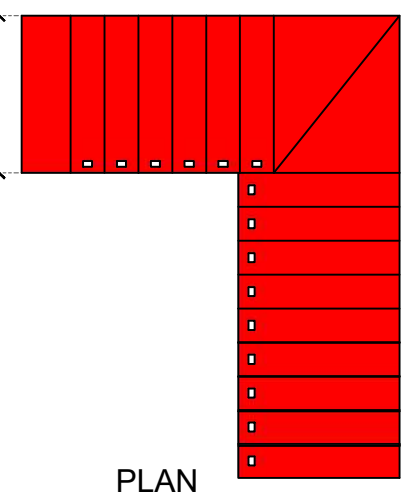
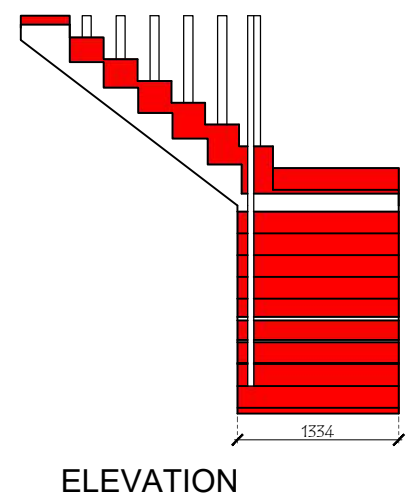
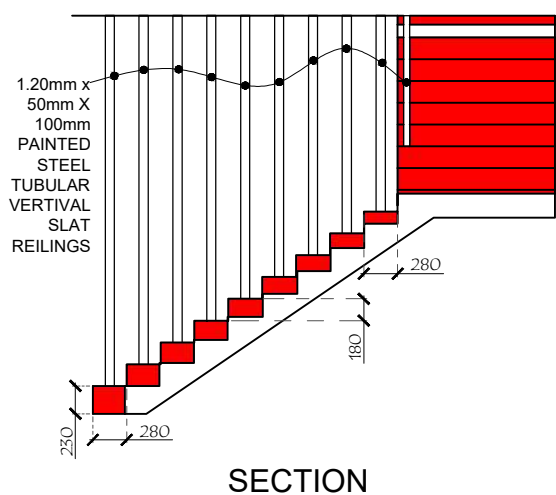


**RD-2: STAIR RECTIFICATION**  
SCALE: 1:100m

**ACTUAL STAIRS**


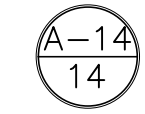


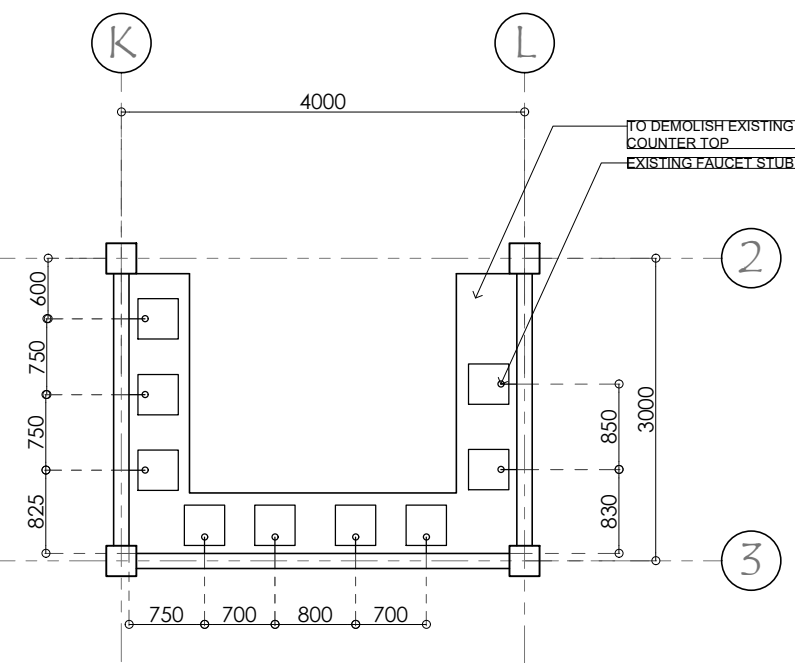
**PROPOSED IMPROVEMENT**



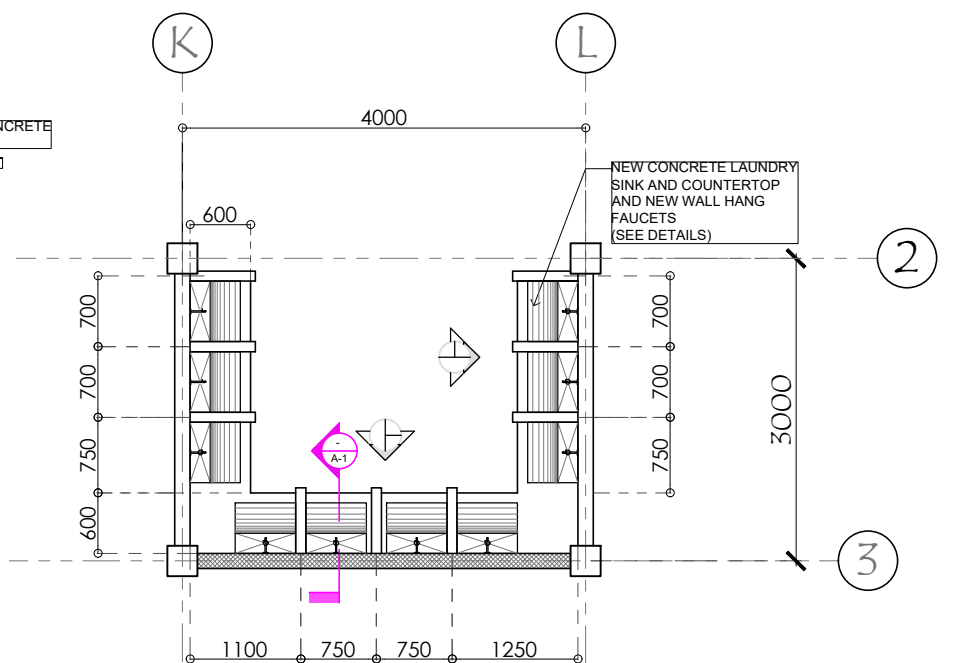
**NOTES:**

1. Shaded portion shall be of the new concrete.
2. Typical rise of the stair shall compose of 180mm.
3. Typical run of the stair shall compose of 280mm.
4. First step shall be of 230mm.
5. Surface of existing concrete shall be roughened prior to surface preparation by chipping.
6. Surface shall be washed and water dried prior to concrete pouring.
7. Add 6pcs - Ø10mm x 8" dowels per step for the connection of new lower step to upper step as needed.
8. Railings shall be anchored to the concrete evenly spaced.

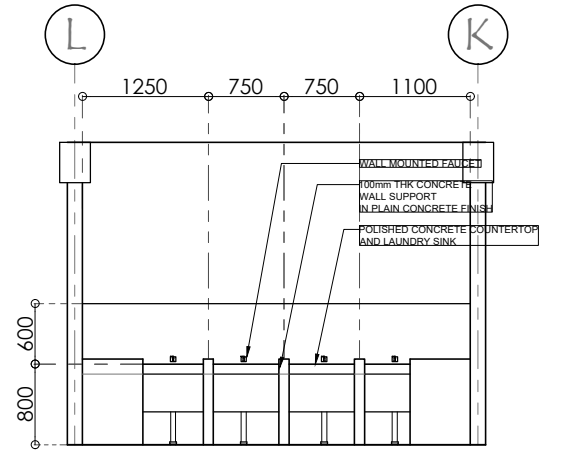
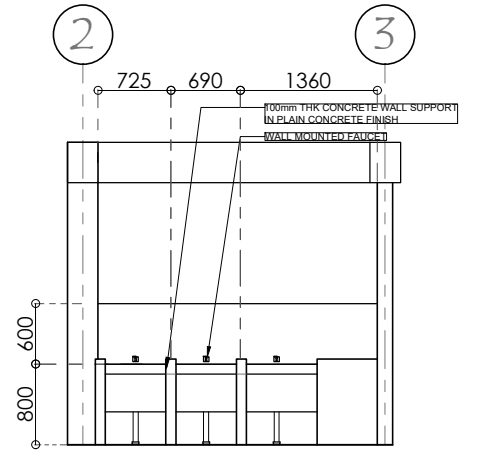
SIGNED AND SEALED BY:	PROJECT AND LOCATION:	PREPARED BY:	SUBMITTED BY:	CONCURRED BY:	RECOMMENDING APPROVAL:	APPROVED BY:	SHEET NO:
PRC REG NO: _____ VALID UNTIL: _____ PTR NO: _____ VALID UNTIL: _____ PLACE OF ISSUE: _____ DATE ISSUE: _____ TIN NO: _____	 <p><b>IMPROVEMENT OF PLGU IP LADIES DORM WITH FIXTURES</b> NUEVA VIZCAYA STATE UNIVERSITY, BAMBANG CAMPUS</p>	<p><b>DENNIS RIO C. VALDEZ</b> Architect</p> <p><b>RANIEL PAOLO C. GUNDRAN</b> Architect</p>	<p><b>OFELIA S. RUBIO</b> Chief, Infrastructure</p> <p><b>EDWIN B. BARAL</b> Director, PPSDS (OIC)</p>	<p><b>GERALD L. PEREZ</b> Campus Administrator</p>	<p><b>CARLO F. VADIL</b> VP for Planning Development and Information System</p>	<p><b>WILFREDO A. DUMALE, JR</b> University President</p>	



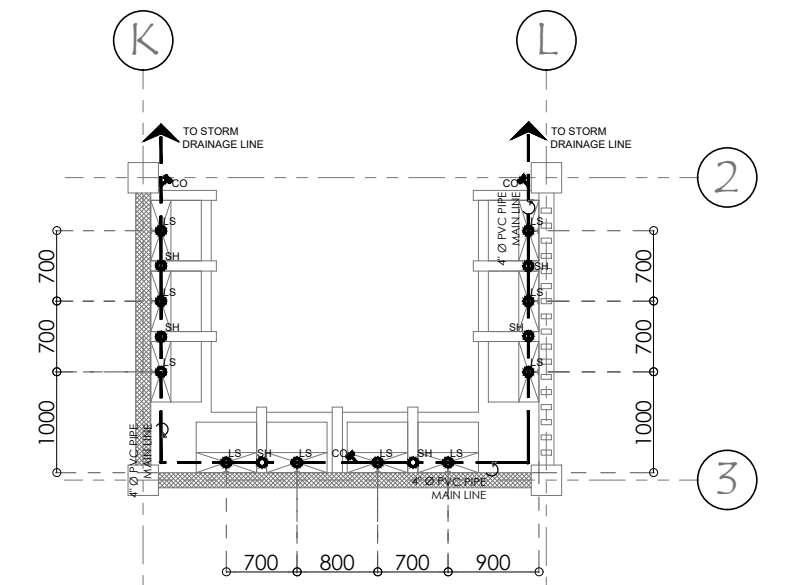
**EXISTING PLAN**



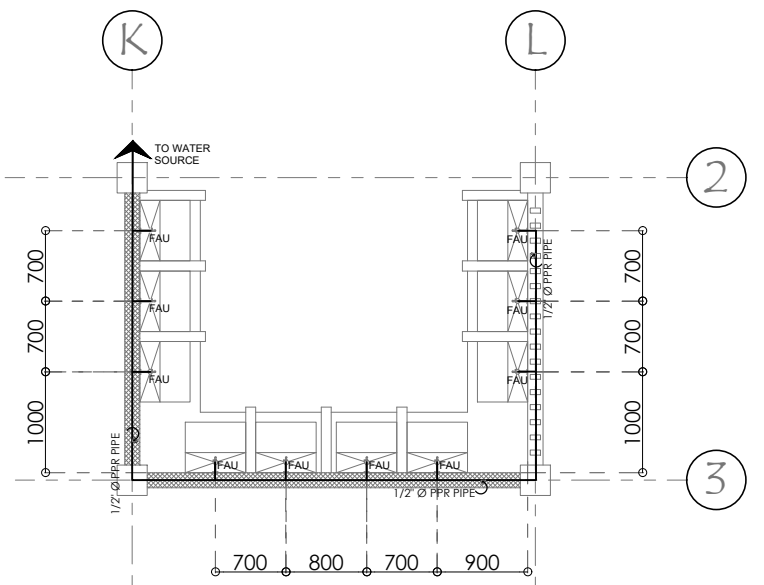
**RENOVATION PLAN**



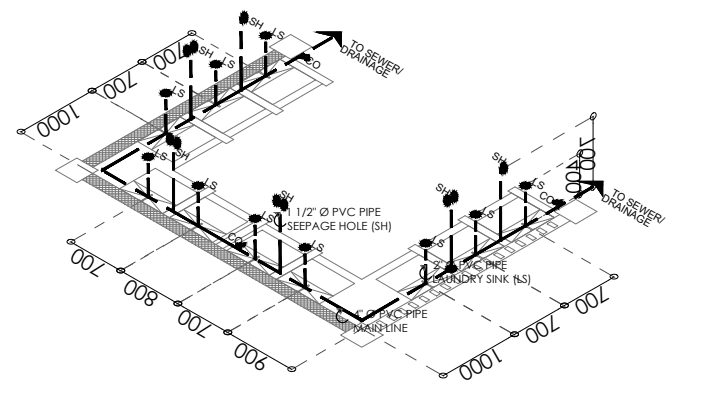
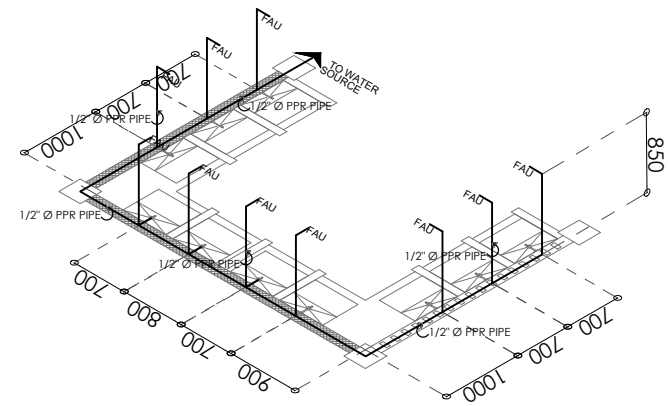
**ELEVATION**



**SEWERLINE/DRAINAGE LAYOUT**


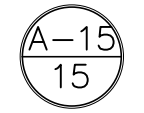


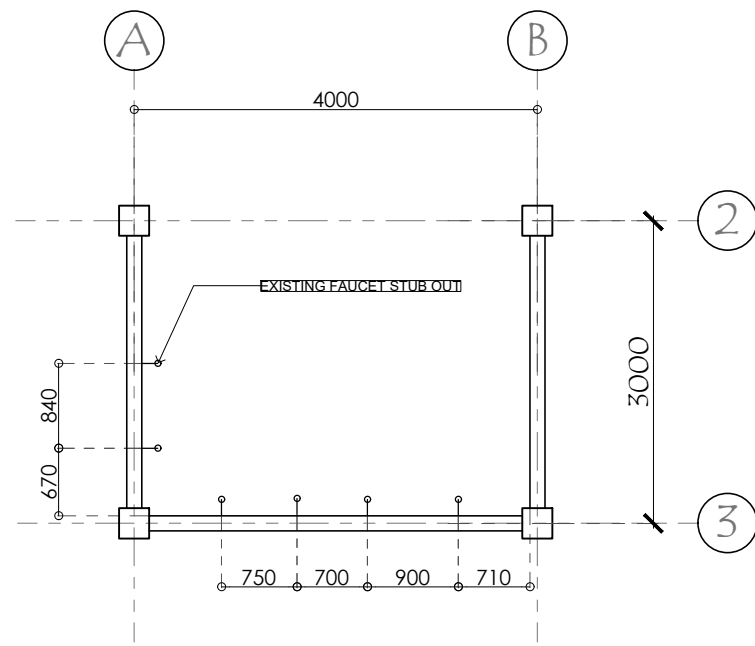
**WATERLINE LAYOUT**



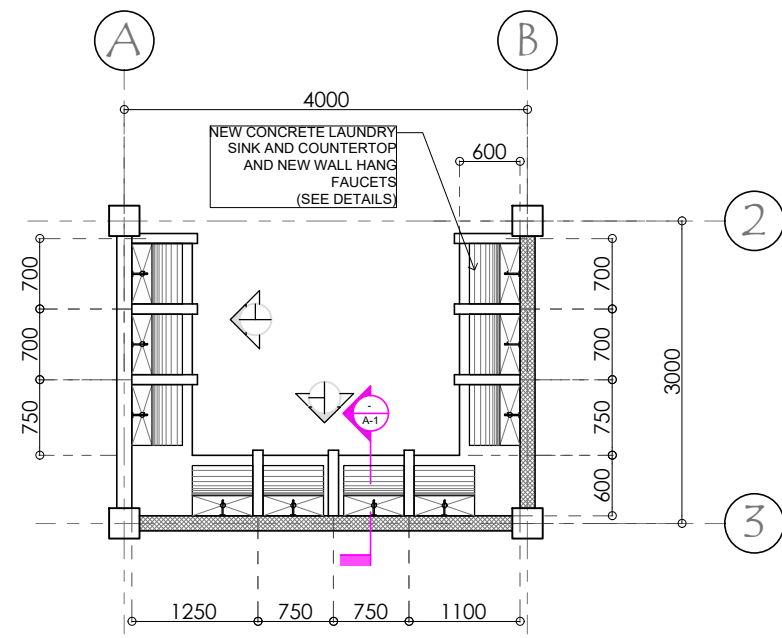
**ISOMETRIC VIEW**

**RD-3: RENOVATION OF LAUNDRY AT RIGHT WING**  
 SCALE: 1:75m  
 A-15

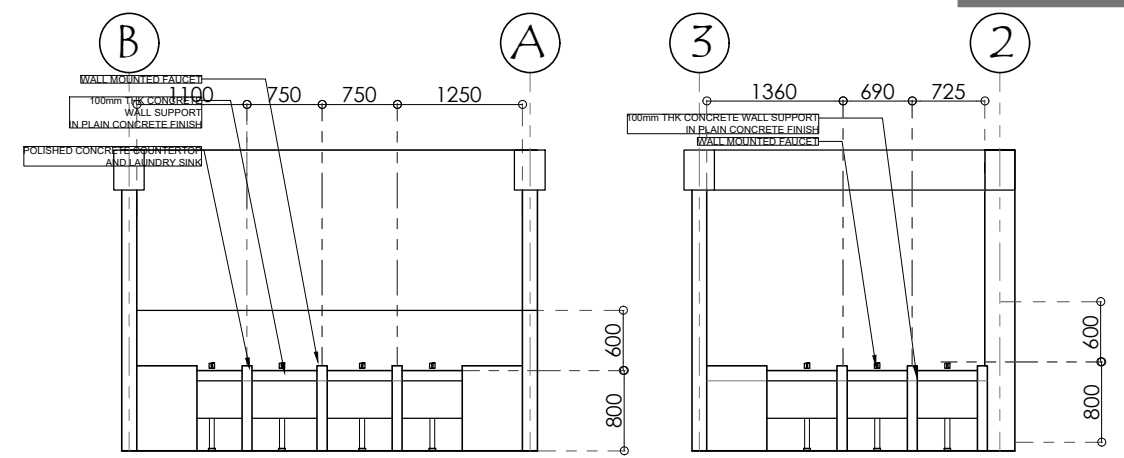
SIGNED AND SEALED BY:	PROJECT AND LOCATION:	PREPARED BY:	SUBMITTED BY:	CONCURRED BY:	RECOMMENDING APPROVAL:	APPROVED BY:	SHEET NO:
PRC REG NO: _____ VALID UNTIL: _____ PTR NO: _____ VALID UNTIL: _____ PLACE OF ISSUE: _____ DATE ISSUE: _____ TIN NO: _____	 <p><b>IMPROVEMENT OF PLGU IP LADIES DORM WITH FIXTURES</b>                  NUEVA VIZCAYA STATE UNIVERSITY, BAMBANG CAMPUS</p>	<p><b>DENNIS RIO C. VALDEZ</b> Architect</p> <p><b>RANIEL PAOLO C. GUNDRAN</b> Architect</p>	<p><b>OFELIA S. RUBIO</b> Chief, Infrastructure</p> <p><b>EDWIN B. BARAL</b> Director, PPSDS (OIC)</p>	<p><b>GERALD L. PEREZ</b> Campus Administrator</p>	<p><b>CARLO F. VADIL</b> VP for Planning Development and Information System</p>	<p><b>WILFREDO A. DUMALE, JR</b> University President</p>	



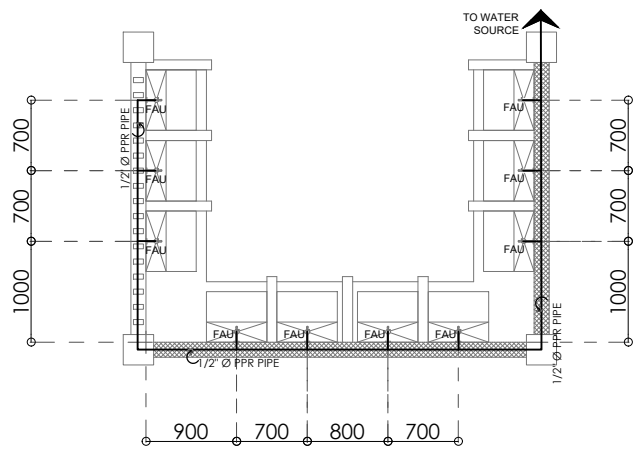
**EXISTING PLAN**



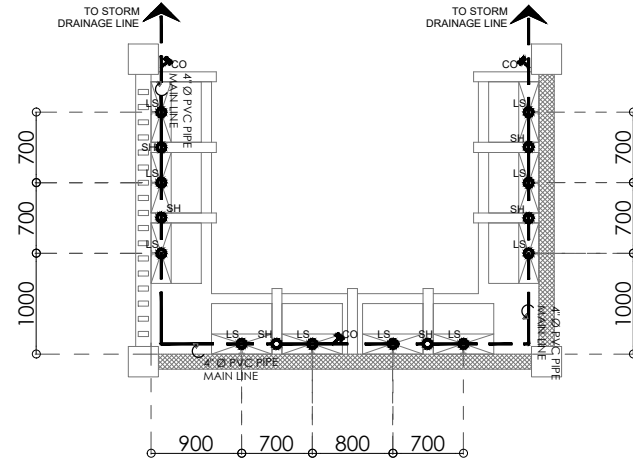
**RENOVATION PLAN**



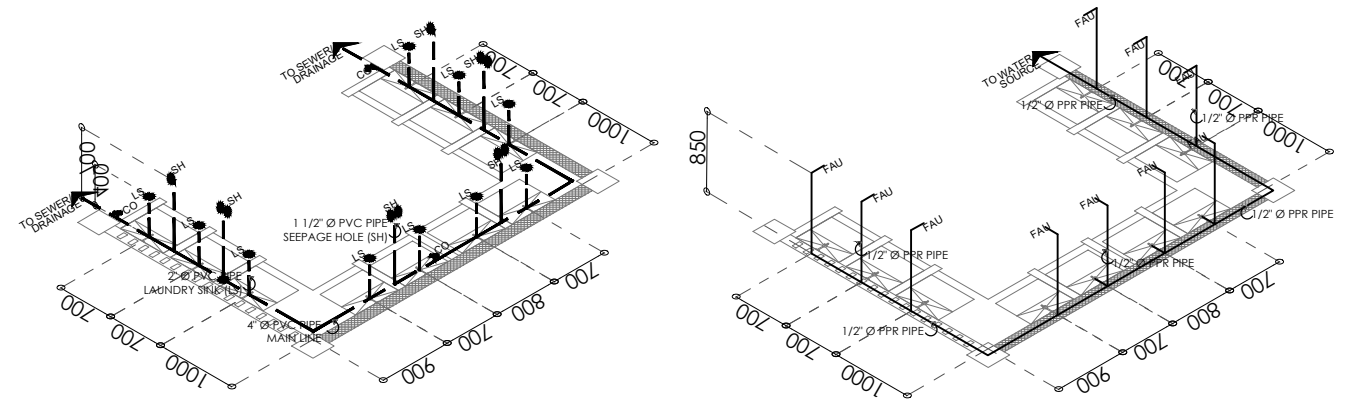
**ELEVATION**



**SEWERLINE/DRAINAGE LAYOUT**


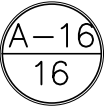


**WATERLINE LAYOUT**

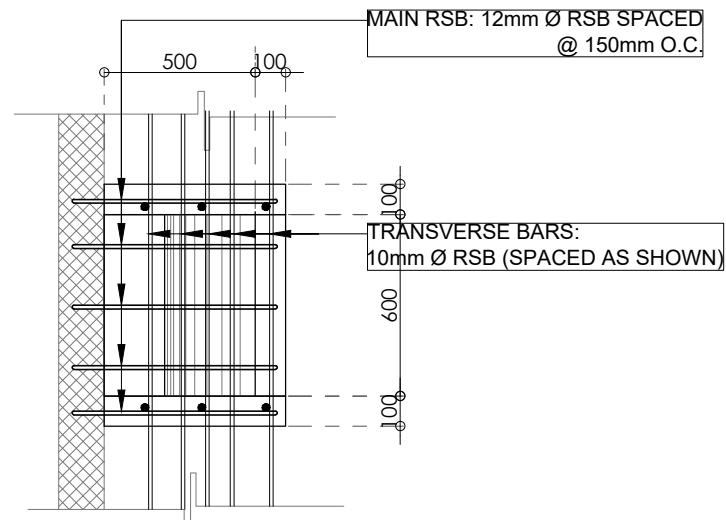


**ISOMETRIC VIEW**

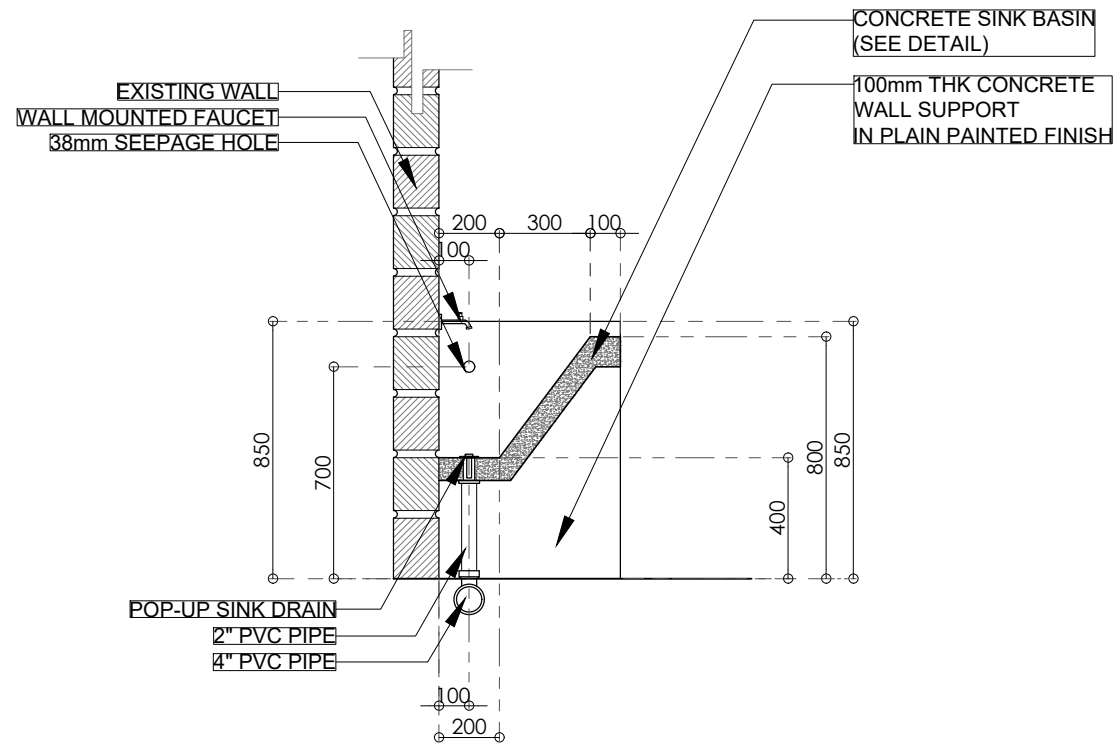
**RD-3: RENOVATION OF LAUNDRY AT LEFT WING**  
 SCALE: 1:75m  
 A-16

SIGNED AND SEALED BY:	PROJECT AND LOCATION:	PREPARED BY:	SUBMITTED BY:	CONCURRED BY:	RECOMMENDING APPROVAL:	APPROVED BY:	SHEET NO:
PRC REG NO: _____ VALID UNTIL: _____ PTR NO: _____ VALID UNTIL: _____ PLACE OF ISSUE: _____ DATE ISSUE: _____ TIN NO: _____	 <p><b>IMPROVEMENT OF PLGU IP LADIES DORM WITH FIXTURES</b>                  NUEVA VIZCAYA STATE UNIVERSITY, BAMBANG CAMPUS</p>	<p><b>DENNIS RIO C. VALDEZ</b> Architect</p> <p><b>RANIEL PAOLO C. GUNDRAN</b> Architect</p>	<p><b>OFELIA S. RUBIO</b> Chief, Infrastructure</p> <p><b>EDWIN B. BARAL</b> Director, PPSDS (OIC)</p>	<p><b>GERALD L. PEREZ</b> Campus Administrator</p>	<p><b>CARLO F. VADIL</b> VP for Planning Development and Information System</p>	<p><b>WILFREDO A. DUMALE, JR</b> University President</p>	

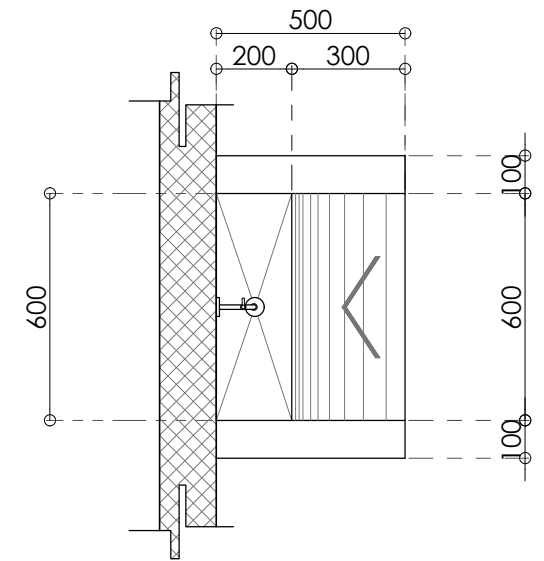




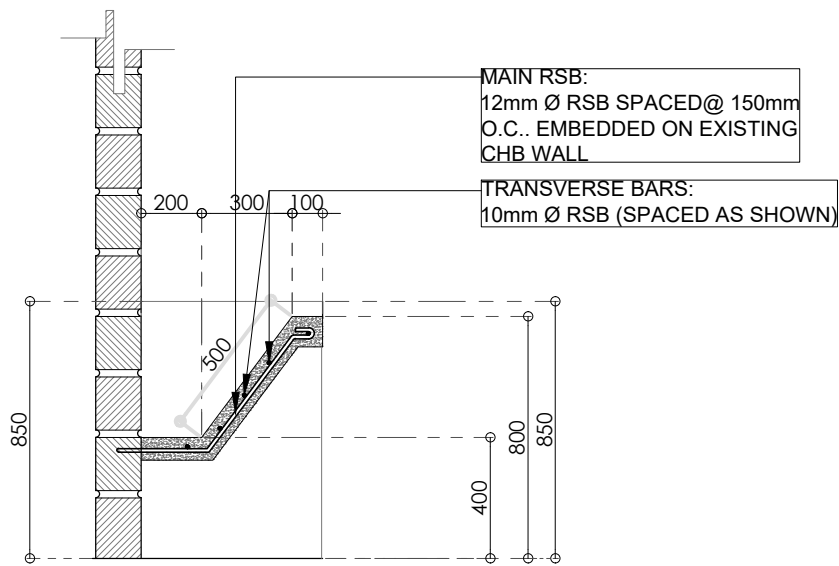
**LAUNDRY SINK & COUNTER TOP REINFORCEMENT DETAIL**



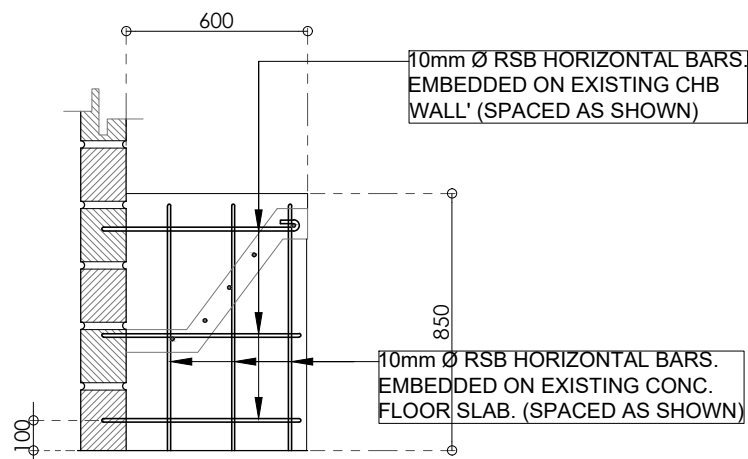
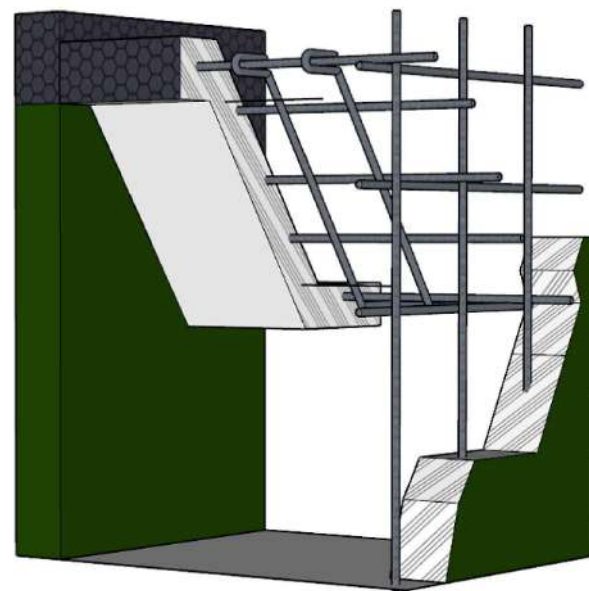
**SECTION**



**PLAN**





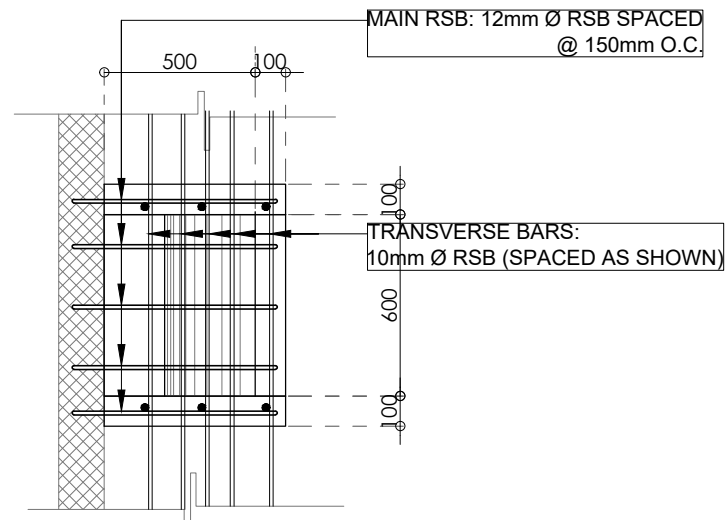
**LAUNDRY SINK REINFORCEMENT DETAIL**



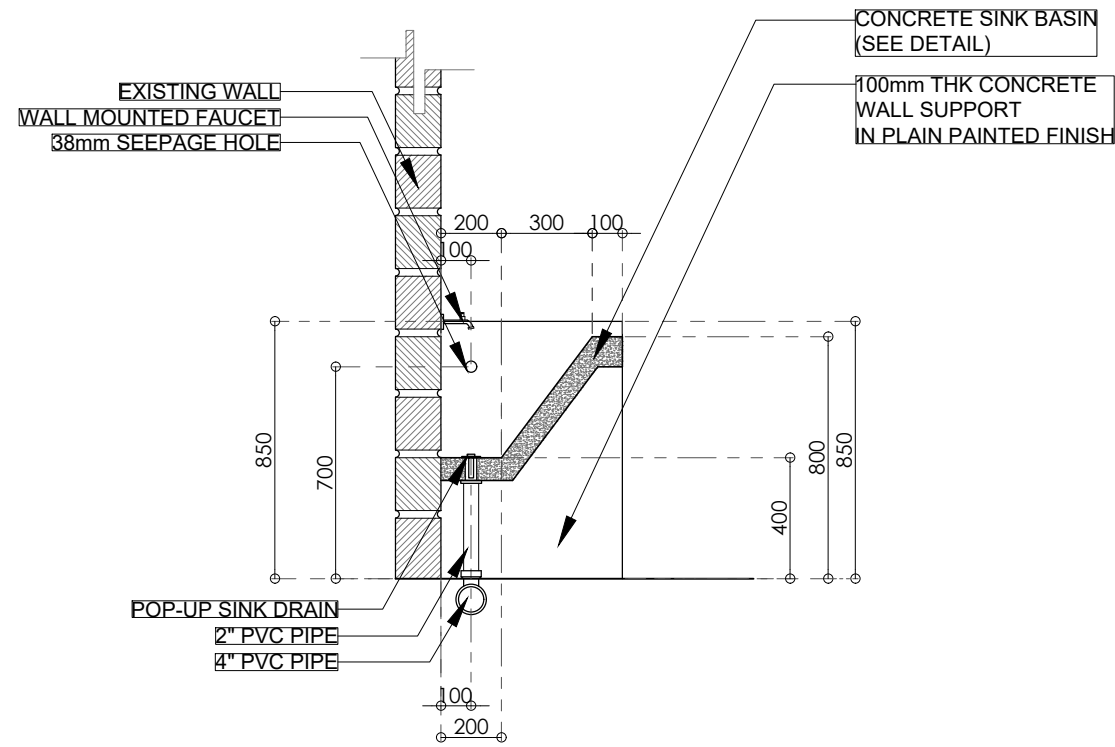
**SUPPORT WALL REINFORCEMENT DETAIL**

**RD-3: RENOVATION OF LAUNDRY DETAIL**  
 SCALE: 1:75m

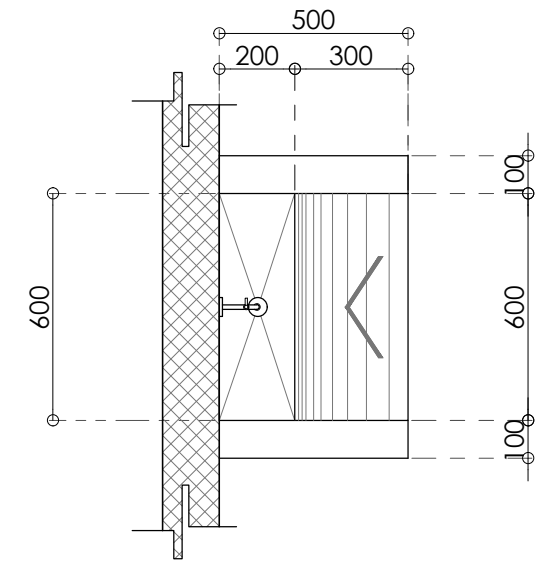
SIGNED AND SEALED BY:	PROJECT AND LOCATION:	PREPARED BY:	SUBMITTED BY:	CONCURRED BY:	RECOMMENDING APPROVAL:	APPROVED BY:	SHEET NO:
PRC REG NO: _____ VALID UNTIL: _____ PTR NO: _____ VALID UNTIL: _____ PLACE OF ISSUE: _____ DATE ISSUE: _____ TIN NO: _____	 <p><b>IMPROVEMENT OF PLGU IP LADIES DORM WITH FIXTURES</b>                  NUEVA VIZCAYA STATE UNIVERSITY, BAMBANG CAMPUS</p>	<p><b>DENNIS RIO C. VALDEZ</b>                  Architect</p> <p><b>JENNIE ROSE J. MORANTE</b>      <b>RANIEL PAOLO C. GUNDRAN</b>                  Architect                                  Architect</p>	<p><b>OFELIA S. RUBIO</b>      <b>EDWIN B. BARAL</b>                  Chief, Infrastructure      Director, PPSDS (OIC)</p>	<p><b>GERALD L. PEREZ</b>                  Campus Administrator</p>	<p><b>CARLO F. VADIL</b>                  VP for Planning Development and Information System</p>	<p><b>WILFREDO A. DUMALE, JR</b>                  University President</p>	



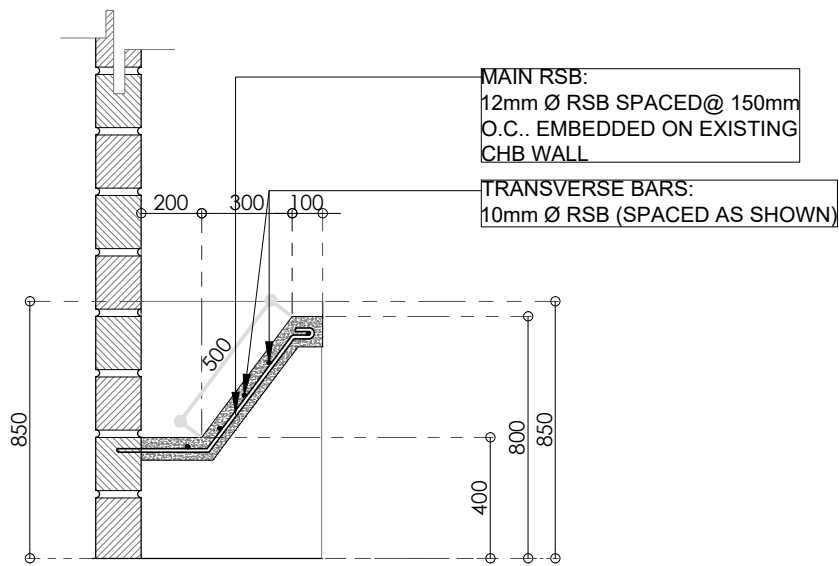
**LAUNDRY SINK & COUNTER TOP REINFORCEMENT DETAIL**



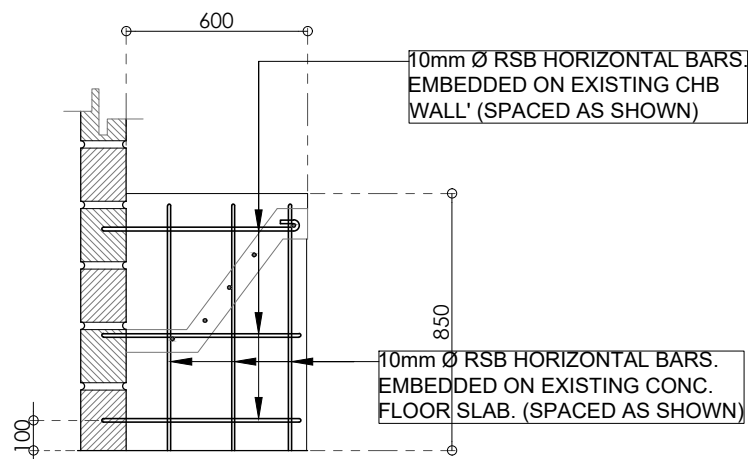
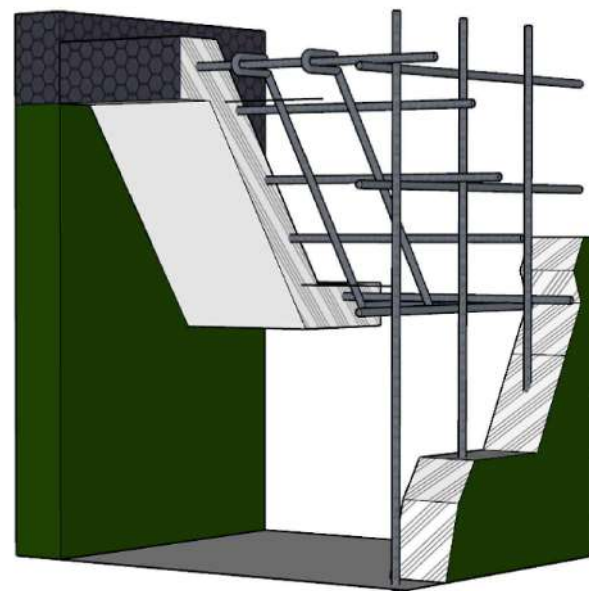
**SECTION**



**PLAN**





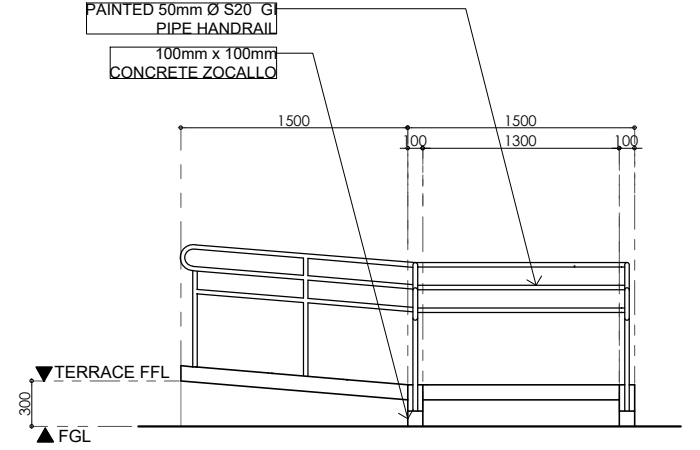
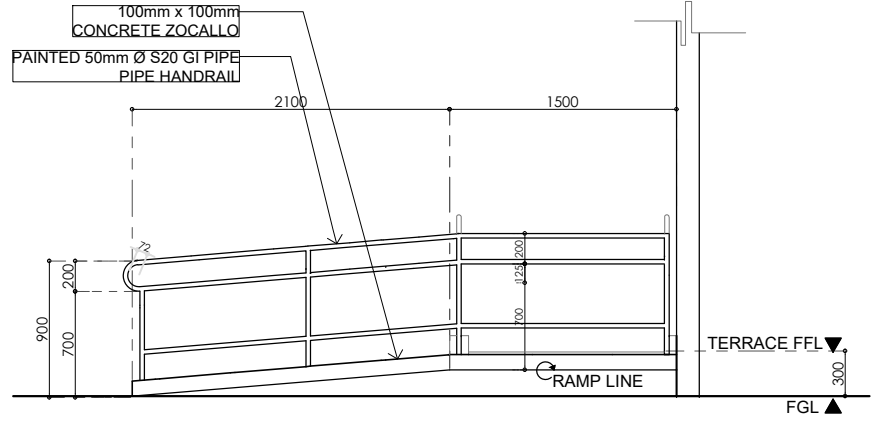
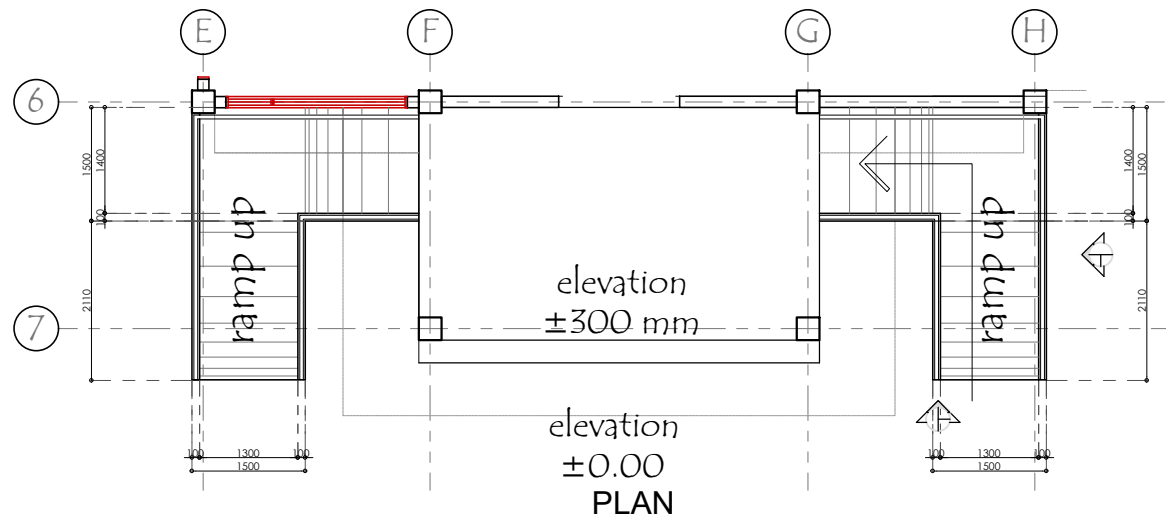
**LAUNDRY SINK REINFORCEMENT DETAIL**



**SUPPORT WALL REINFORCEMENT DETAIL**


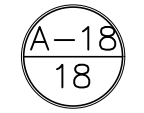
**RD-3: RENOVATION OF LAUNDRY DETAIL**  
 SCALE: 1:75m

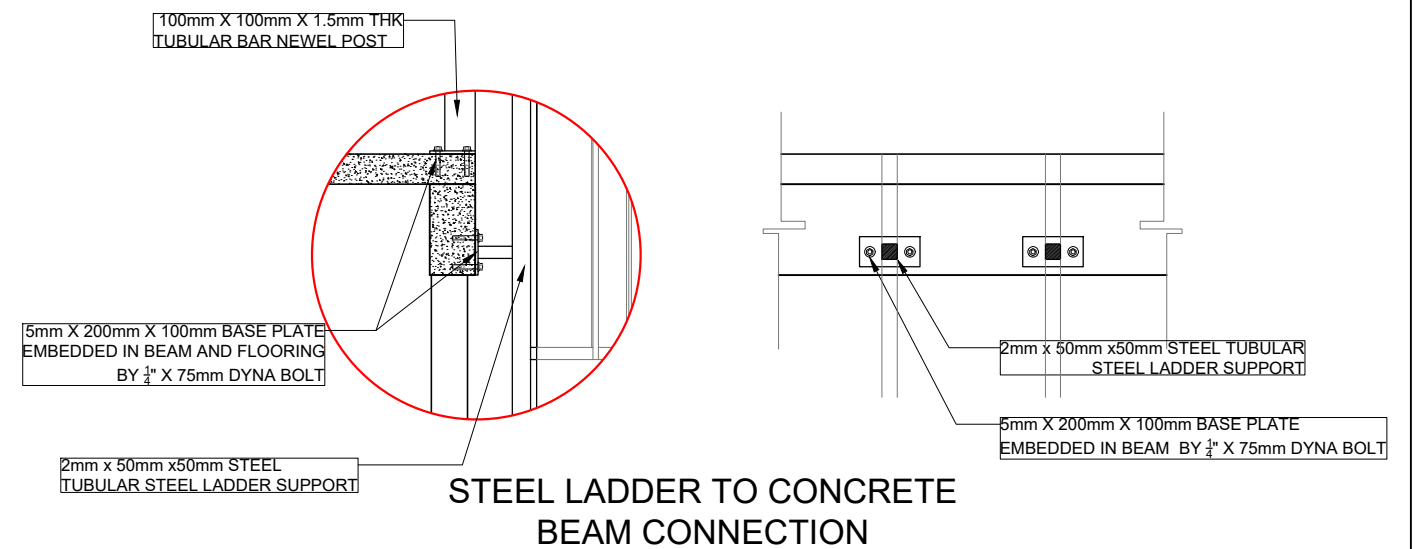
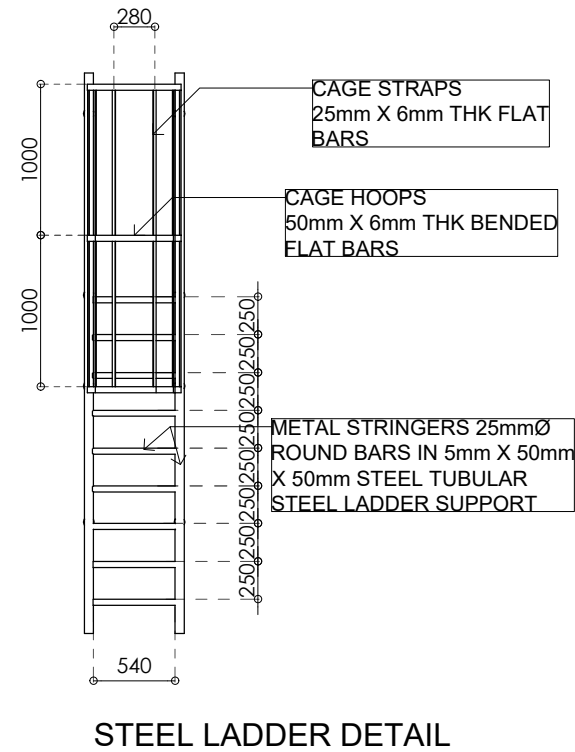
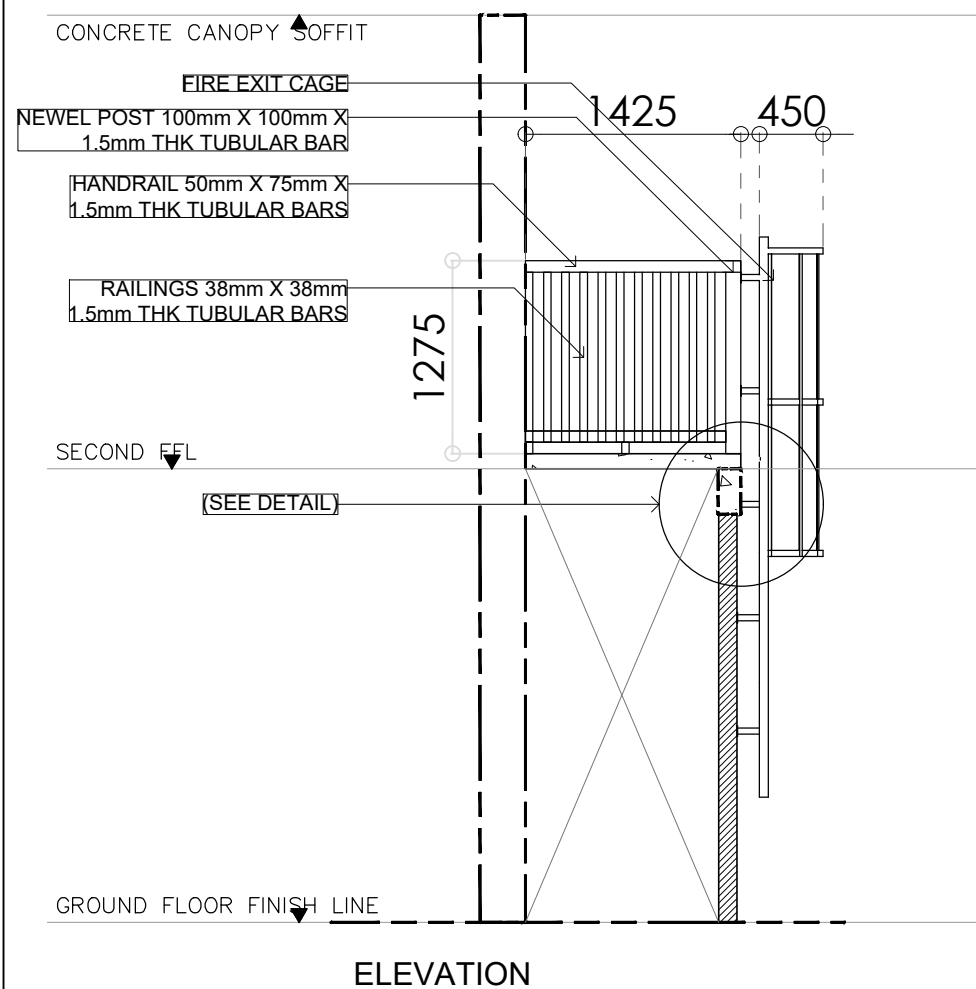
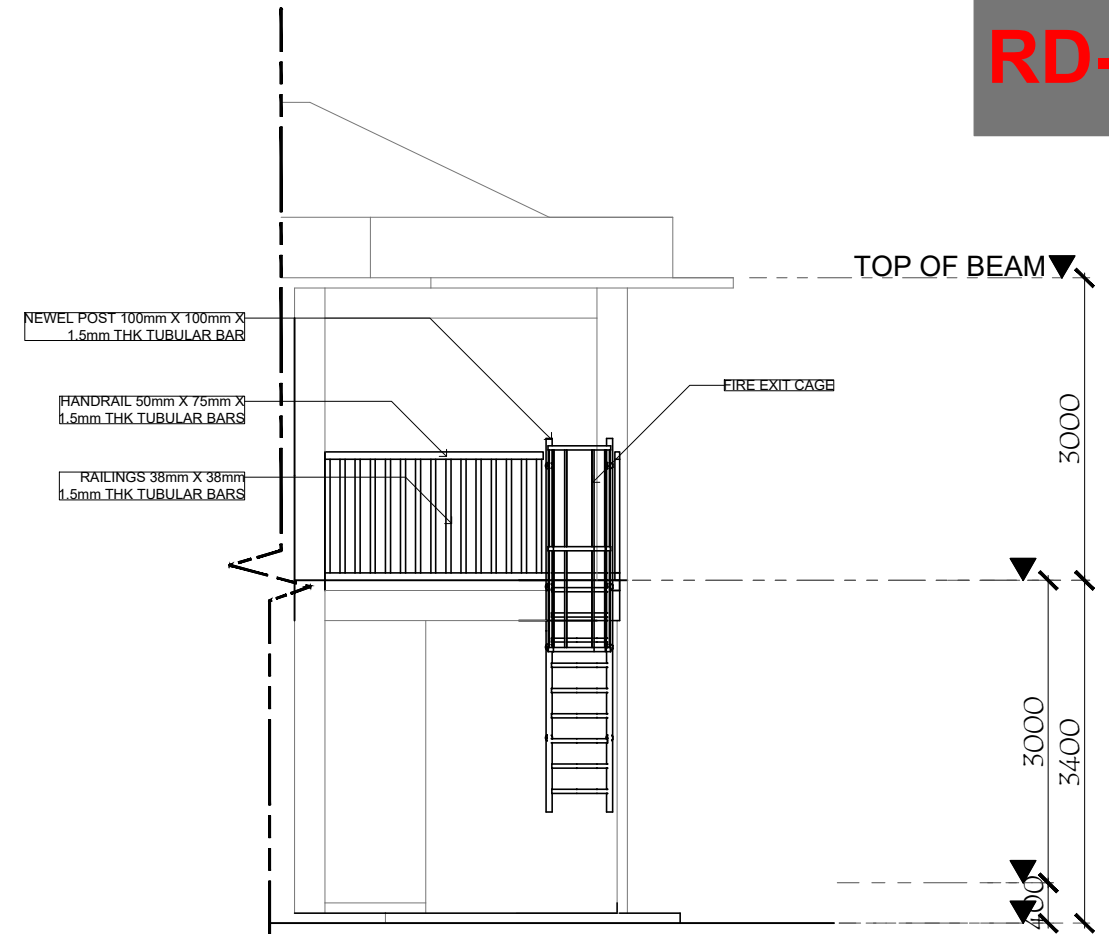
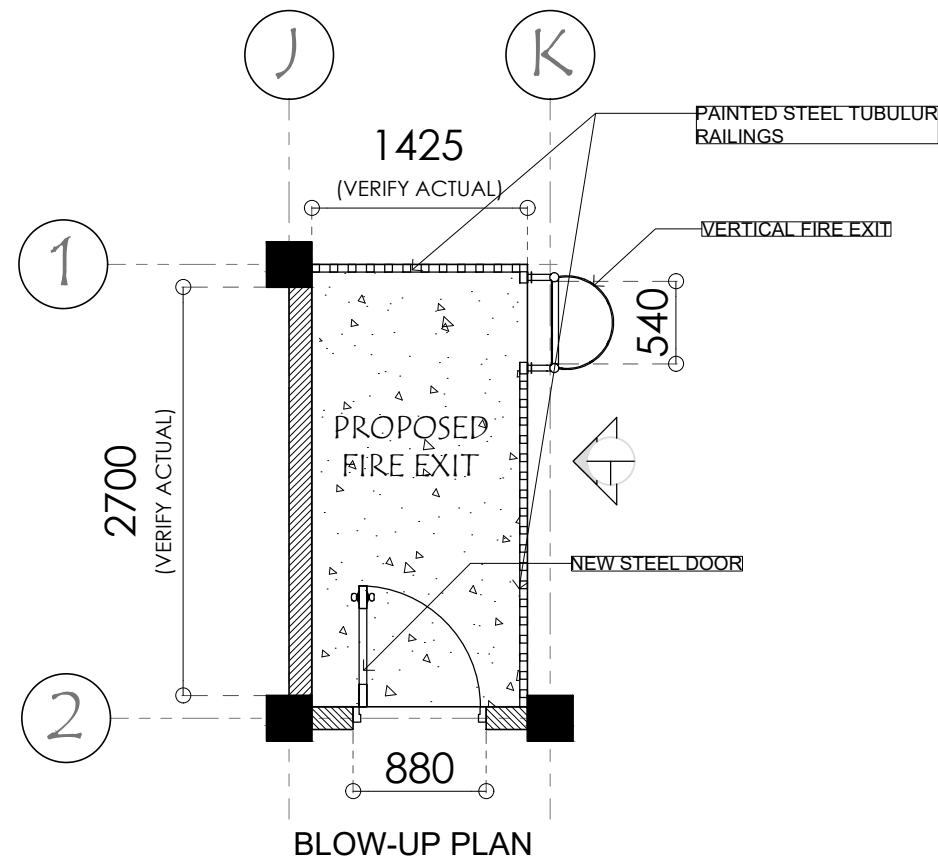
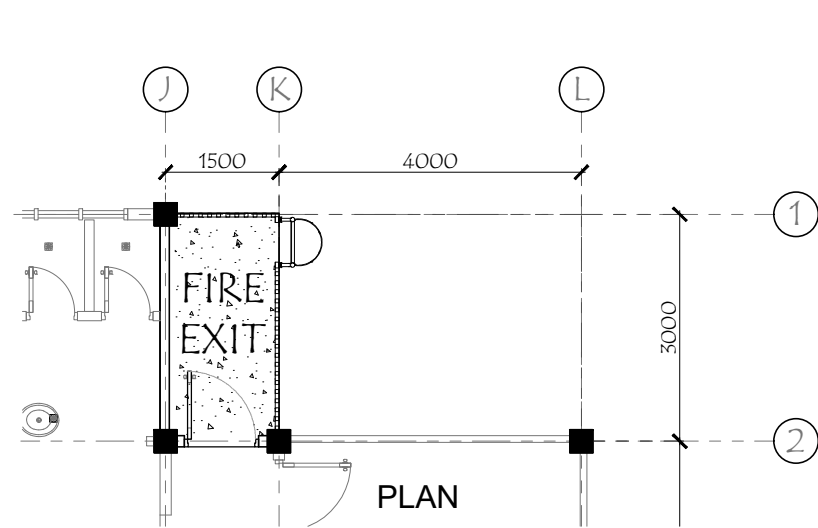
SIGNED AND SEALED BY:	PROJECT AND LOCATION:	PREPARED BY:	SUBMITTED BY:	CONCURRED BY:	RECOMMENDING APPROVAL:	APPROVED BY:	SHEET NO:
PRC REG NO: _____ VALID UNTIL: _____ PTR NO: _____ VALID UNTIL: _____ PLACE OF ISSUE: _____ DATE ISSUE: _____ TIN NO: _____	 <p><b>IMPROVEMENT OF PLGU IP LADIES DORM WITH FIXTURES</b>                  NUEVA VIZCAYA STATE UNIVERSITY, BAMBANG CAMPUS</p>	<p><b>DENNIS RIO C. VALDEZ</b> Architect</p> <p><b>RANIEL PAOLO C. GUNDRAN</b> Architect</p>	<p><b>OFELIA S. RUBIO</b> Chief, Infrastructure</p> <p><b>EDWIN B. BARAL</b> Director, PPSDS (OIC)</p>	<p><b>GERALD L. PEREZ</b> Campus Administrator</p>	<p><b>CARLO F. VADIL</b> VP for Planning Development and Information System</p>	<p><b>WILFREDO A. DUMALE, JR</b> University President</p>	



**ELEVATION**

**RD-4: NEW PWD RAMP**  
 A 18 SCALE: 1:75m


SIGNED AND SEALED BY:	PROJECT AND LOCATION:	PREPARED BY:	SUBMITTED BY:	CONCURRED BY:	RECOMMENDING APPROVAL:	APPROVED BY:	SHEET NO:
PRC REG NO: _____ VALID UNTIL: _____ PTR NO: _____ VALID UNTIL: _____ PLACE OF ISSUE: _____ DATE ISSUE: _____ TIN NO: _____	 <p><b>IMPROVEMENT OF PLGU IP LADIES DORM WITH FIXTURES</b>                  NUEVA VIZCAYA STATE UNIVERSITY, BAMBANG CAMPUS</p>	<p><b>DENNIS RIO C. VALDEZ</b> Architect</p> <p><b>RANIEL PAOLO C. GUNDRAN</b> Architect</p>	<p><b>OFELIA S. RUBIO</b> Chief, Infrastructure</p> <p><b>EDWIN B. BARAL</b> Director, PPSDS</p>	<p><b>GERALD L. PEREZ</b> Campus Administrator</p>	<p><b>CARLO F. VADIL</b> VP for Planning Development and Information System</p>	<p><b>WILFREDO A. DUMALE, JR</b> University President</p>	



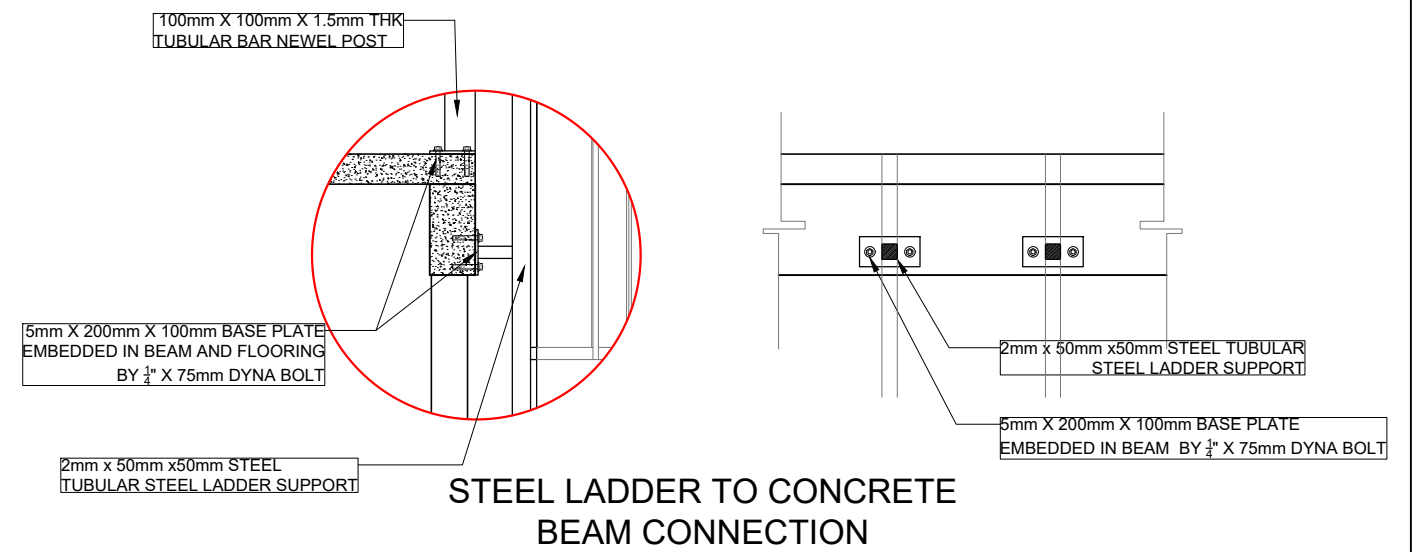
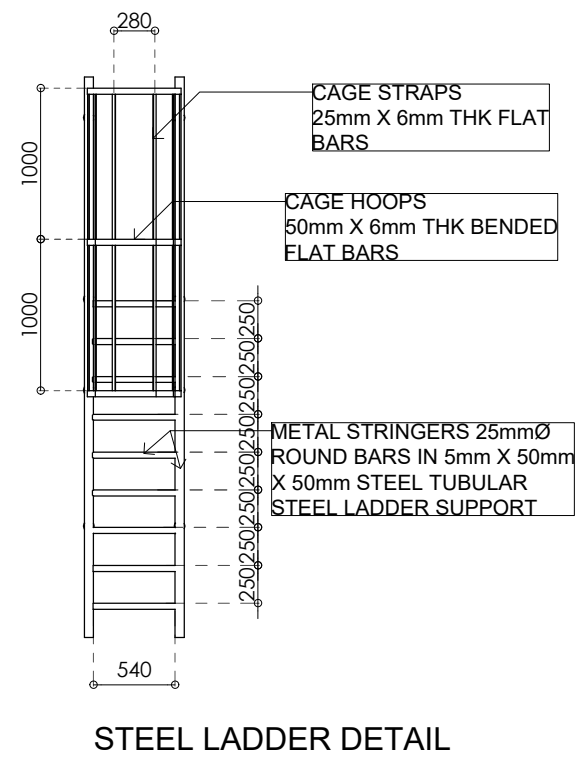
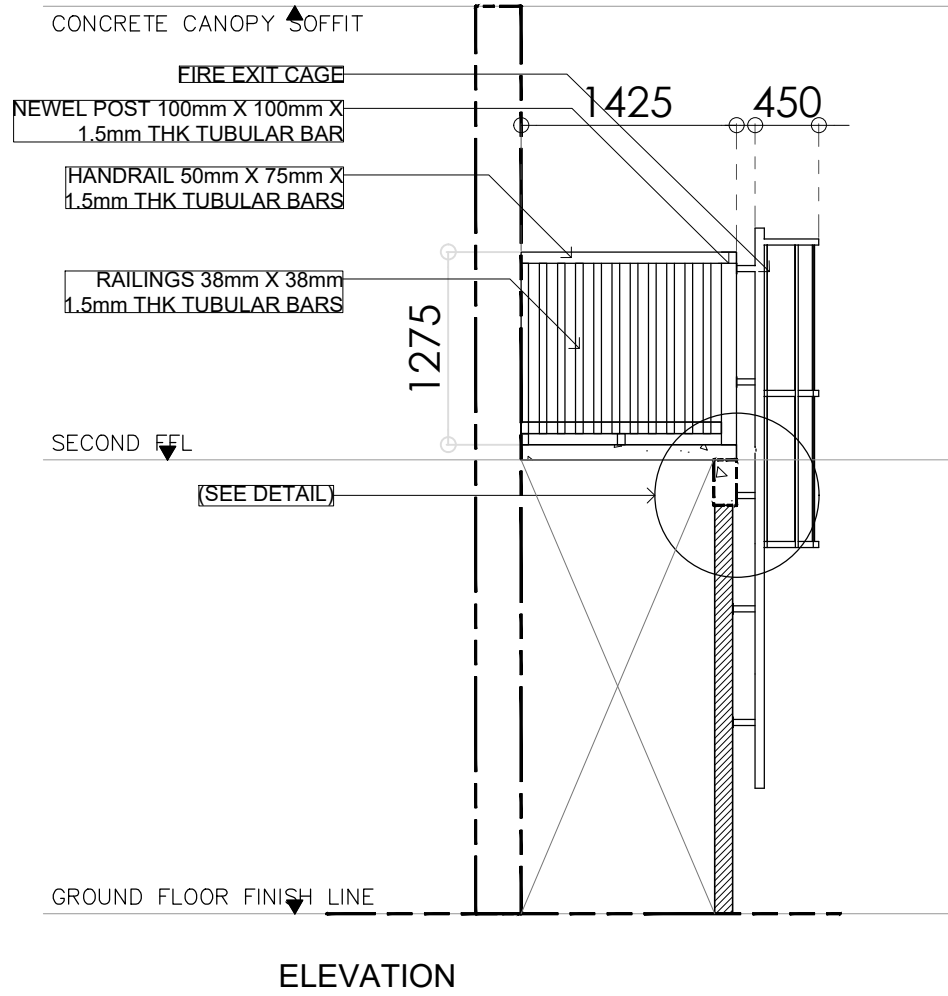
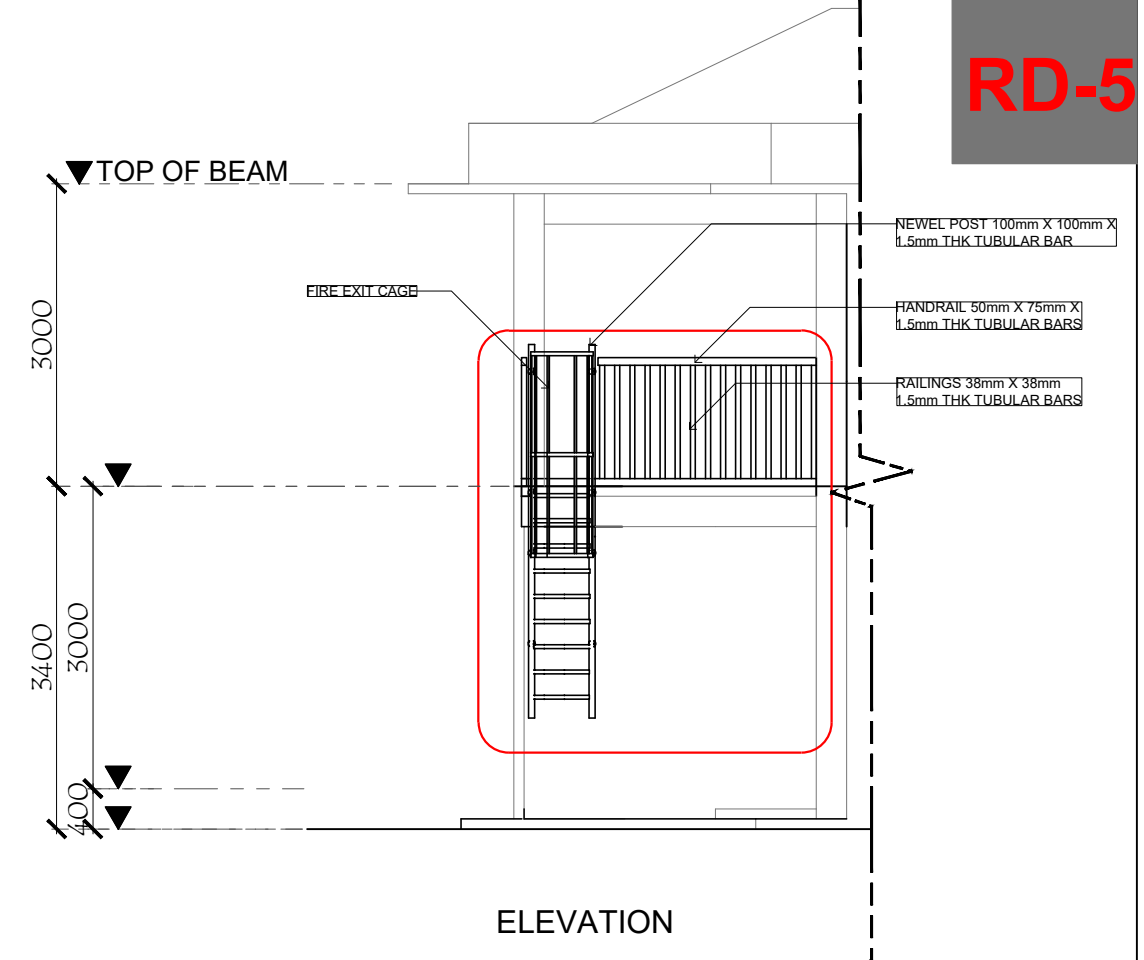
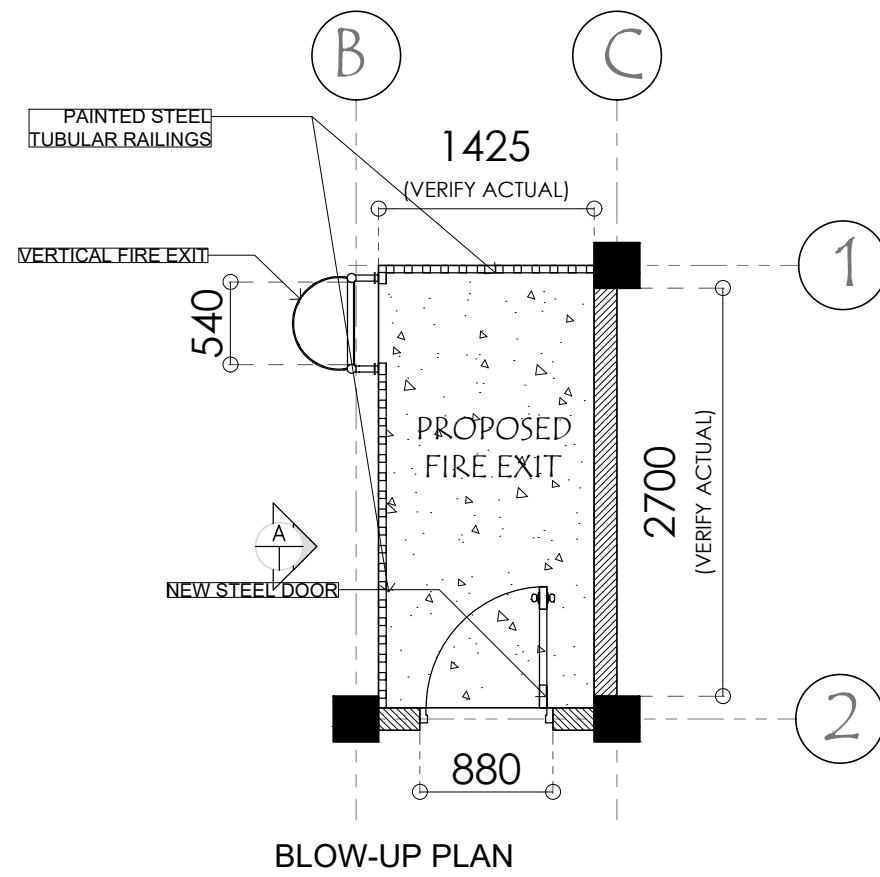
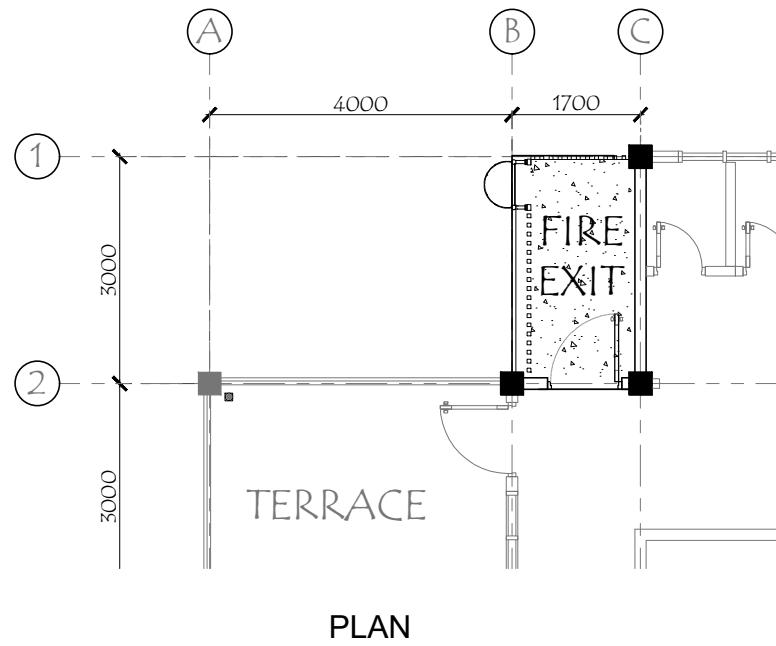
**RD-5: NEW FIRE EXIT AT REAR OF RIGHT WING**




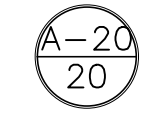
SCALE: 1:50m

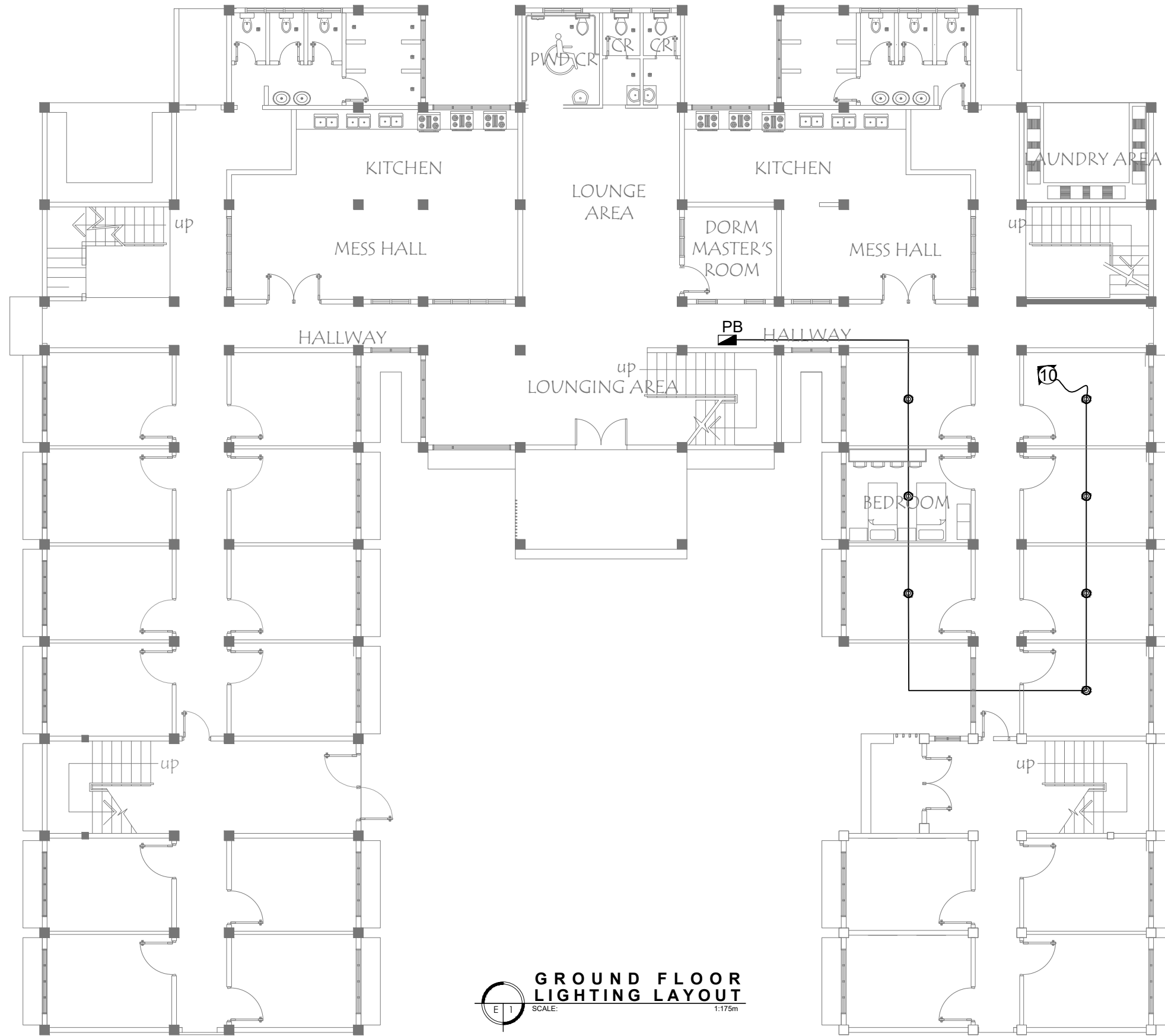
SIGNED AND SEALED BY:	PROJECT AND LOCATION:	PREPARED BY:	SUBMITTED BY:	CONCURRED BY:	RECOMMENDING APPROVAL:	APPROVED BY:	SHEET NO:
	 <b>IMPROVEMENT OF PLGU IP LADIES DORM WITH FIXTURES</b> NUEVA VIZCAYA STATE UNIVERSITY, BAMBANG CAMPUS	<b>DENNIS RIO C. VALDEZ</b> Architect	<b>RANIEL PAOLO C. GUNDRAN</b> Architect	<b>OFELIA S. RUBIO</b> Chief, Infrastructure <b>EDWIN B. BARAL</b> Director, PPSDS (OIC)	<b>GERALD L. PEREZ</b> Campus Administrator	<b>CARLO F. VADIL</b> VP for Planning Development and Information System	<b>WILFREDO A. DUMALE, JR</b> University President
PRC REG NO: _____ VALID UNTIL: _____ PTR NO: _____ VALID UNTIL: _____ PLACE OF ISSUE: _____ DATE ISSUE: _____ TIN NO: _____							A-19 19





**RD-5: NEW FIRE EXIT AT REAR OF LEFT WING**  
 SCALE: 1:50m

SIGNED AND SEALED BY:	PROJECT AND LOCATION:	PREPARED BY:	SUBMITTED BY:	CONCURRED BY:	RECOMMENDING APPROVAL:	APPROVED BY:	SHEET NO:
PRC REG NO: _____ VALID UNTIL: _____ PTR NO: _____ VALID UNTIL: _____ PLACE OF ISSUE: _____ DATE ISSUE: _____ TIN NO: _____	 <p><b>IMPROVEMENT OF PLGU IP LADIES DORM WITH FIXTURES</b>                  NUEVA VIZCAYA STATE UNIVERSITY, BAMBANG CAMPUS</p>	<p><b>DENNIS RIO C. VALDEZ</b> Architect</p> <p><b>RANIEL PAOLO C. GUNDRAN</b> Architect</p>	<p><b>OFELIA S. RUBIO</b> Chief, Infrastructure</p> <p><b>EDWIN B. BARAL</b> Director, PPSDS (OIC)</p>	<p><b>GERALD L. PEREZ</b> Campus Administrator</p>	<p><b>CARLO F. VADIL</b> VP for Planning Development and Information System</p>	<p><b>WILFREDO A. DUMALE, JR</b> University President</p>	



**GROUND FLOOR  
LIGHTING LAYOUT**  
SCALE: 1:175m

SIGNED AND SEALED BY:

PROJECT AND LOCATION:

PREPARED BY:

SUBMITTED BY:

CONCURRED BY:

RECOMMENDING APPROVAL:

APPROVED BY:

SHEET NO:

PRC REG NO: \_\_\_\_\_ VALID UNTIL: \_\_\_\_\_  
PTR NO: \_\_\_\_\_ VALID UNTIL: \_\_\_\_\_  
PLACE OF ISSUE: \_\_\_\_\_ DATE ISSUE: \_\_\_\_\_  
TIN NO: \_\_\_\_\_



**IMPROVEMENT OF PLGU IP LADIES  
DORM WITH FIXTURES**

NUEVA VIZCAYA STATE UNIVERSITY, BAMBANG CAMPUS

**KYLE RENZO V. GALAPON**  
Electrical Engineer

**OFELIA S. RUBIO**  
Chief, Infrastructure

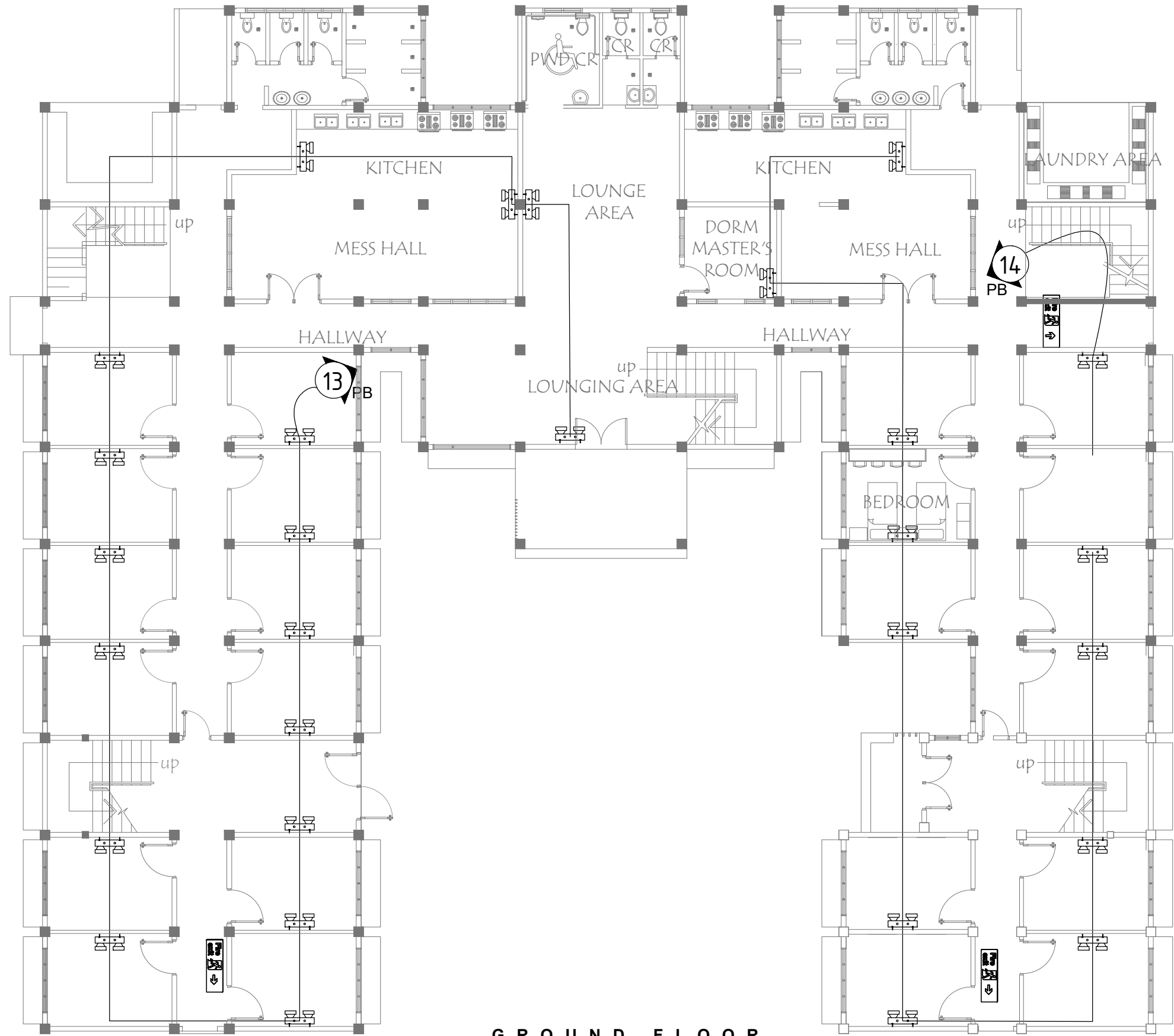
**EDWIN B. BARAL**  
Director, PPSDS

**GERALD L. PEREZ**  
Campus Administrator


**CARLO F. VADIL**  
VP for Planning Development and Information System

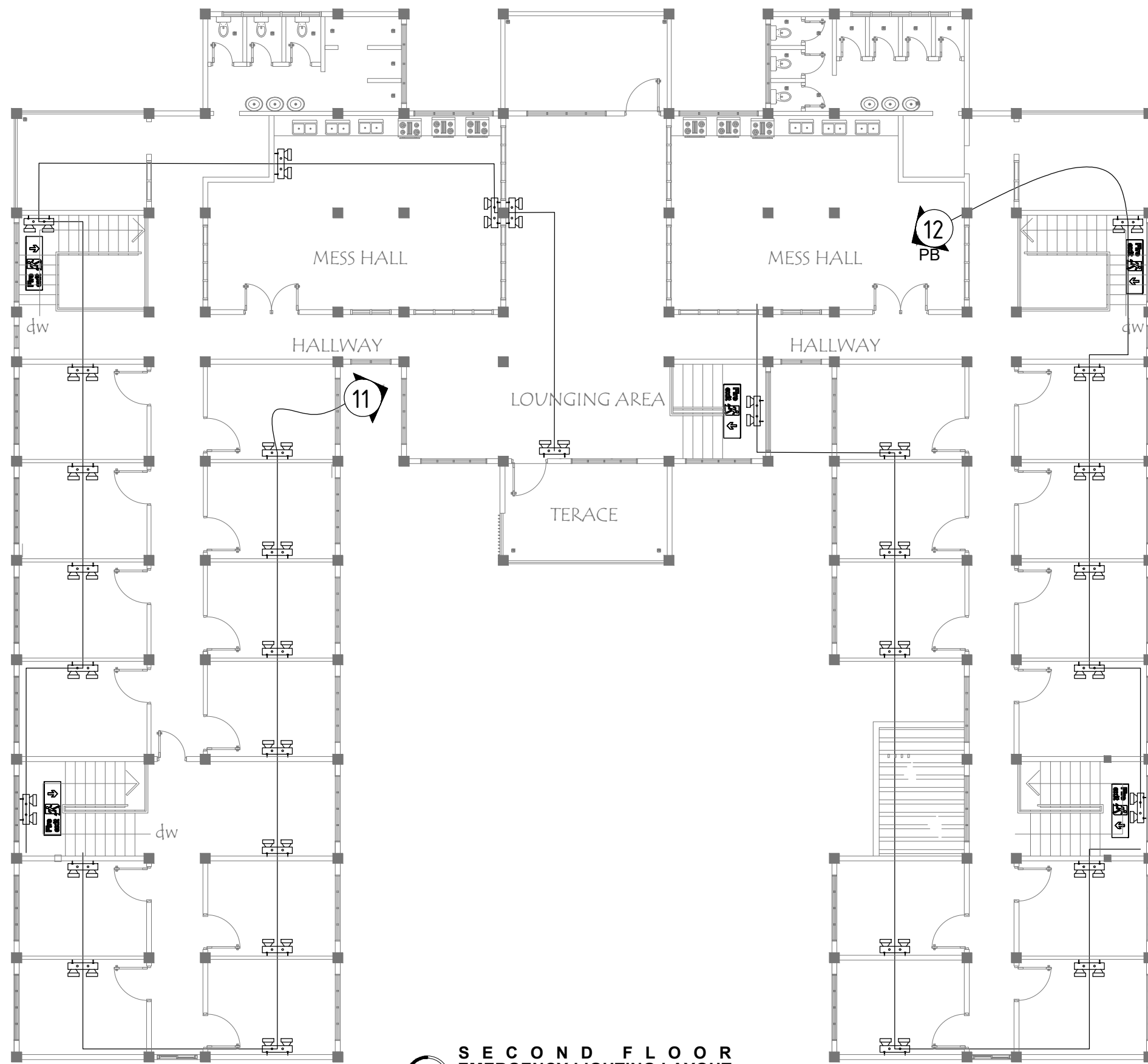
**WILFREDO A. DUMALE, JR**  
University President

E-1  
21




**GROUND FLOOR  
EMERGENCY LIGHTING LAYOUT**  
SCALE: 1:175m

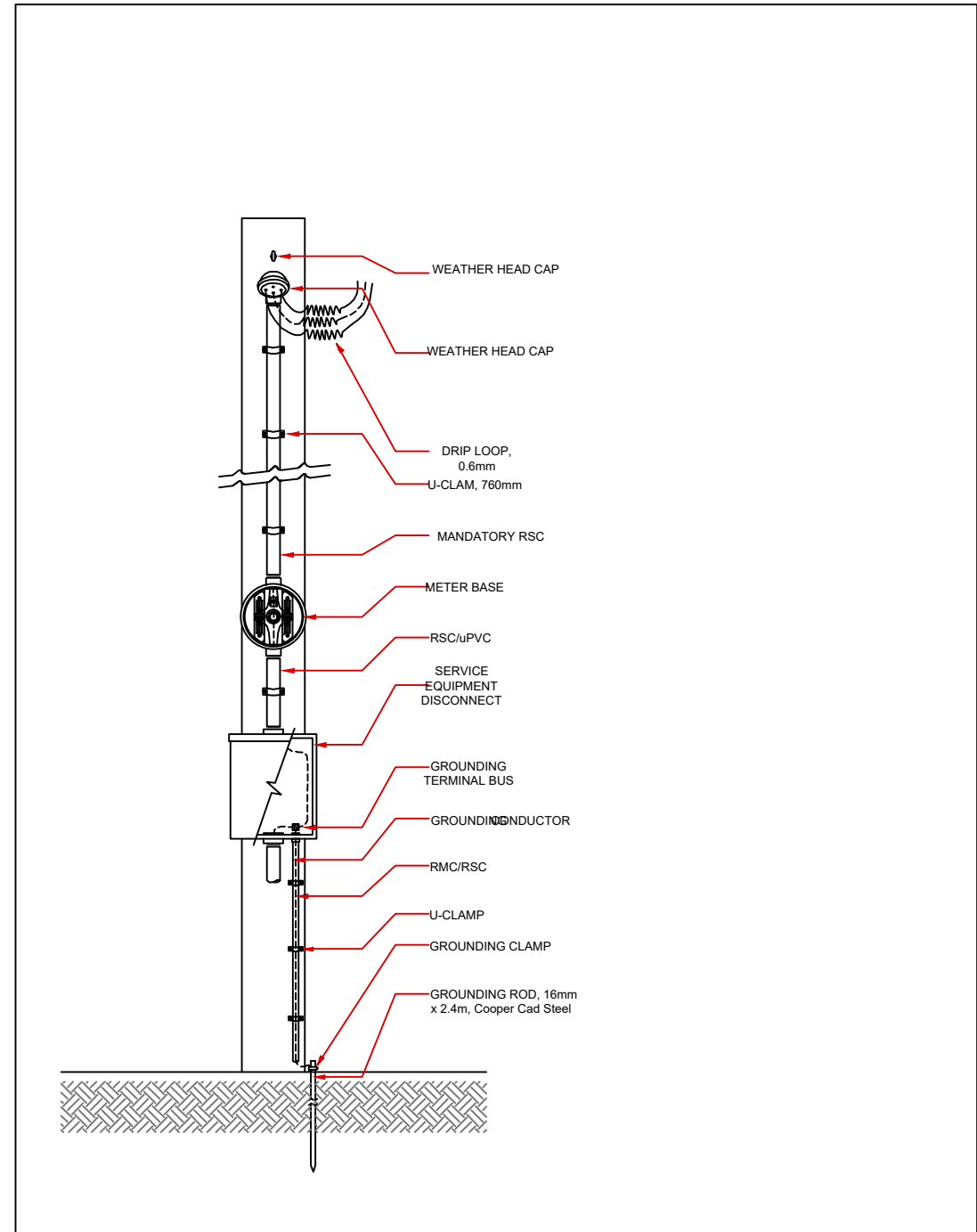
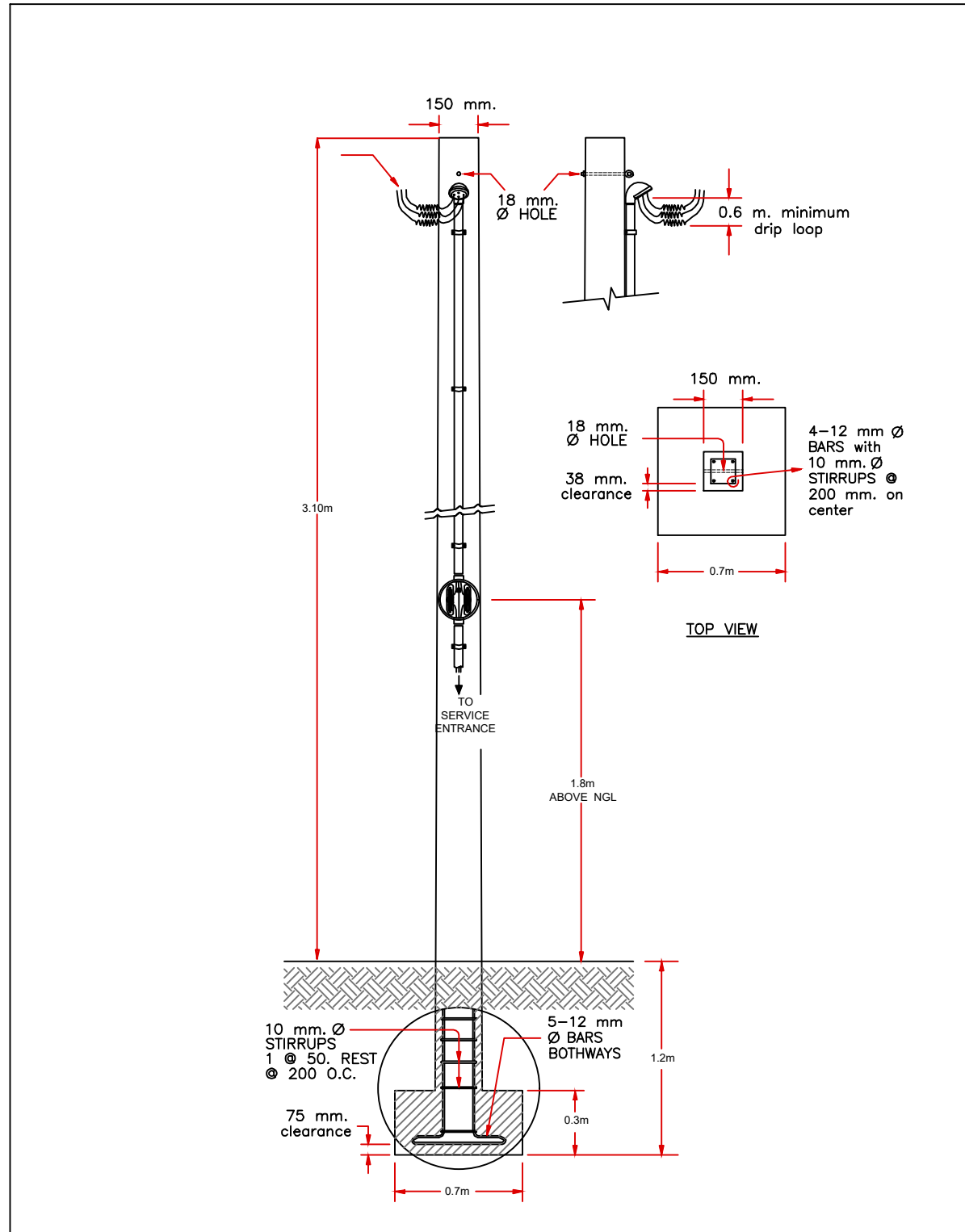
SIGNED AND SEALED BY:	PROJECT AND LOCATION:	PREPARED BY:	SUBMITTED BY:	CONCURRED BY:	RECOMMENDING APPROVAL:	APPROVED BY:	SHEET NO:
_____ PRC REG NO: _____ VALID UNTIL: _____ PTR NO: _____ VALID UNTIL: _____ PLACE OF ISSUE: _____ DATE ISSUE: _____ TIN NO: _____	 <p><b>IMPROVEMENT OF PLGU IP LADIES DORM WITH FIXTURES</b> NUEVA VIZCAYA STATE UNIVERSITY, BAMBANG CAMPUS</p>	<p><b>KYLE RENZO V. GALAPON</b> Electrical Engineer</p>	<p><b>OFELIA S. RUBIO</b> Chief, Infrastructure</p> <p><b>EDWIN B. BARAL</b> Director, PPSDS</p>	<p><b>GERALD L. PEREZ</b> Campus Administrator</p>	<p><b>CARLO F. VADIL</b> VP for Planning Development and Information System</p>	<p><b>WILFREDO A. DUMALE, JR</b> University President</p>	<p align="center">E-2 23</p>



**SECOND FLOOR  
EMERGENCY LIGHTING LAYOUT**  
SCALE: 1:175m


SIGNED AND SEALED BY:	PROJECT AND LOCATION:	PREPARED BY:	SUBMITTED BY:	CONCURRED BY:	RECOMMENDING APPROVAL:	APPROVED BY:	SHEET NO:
PRC REG NO: _____ VALID UNTIL: _____ PTR NO: _____ VALID UNTIL: _____ PLACE OF ISSUE: _____ DATE ISSUE: _____ TIN NO: _____	 <p><b>IMPROVEMENT OF PLGU IP LADIES DORM WITH FIXTURES</b> NUEVA VIZCAYA STATE UNIVERSITY, BAMBANG CAMPUS</p>	<p><b>KYLE RENZO V. GALAPON</b> Electrical Engineer</p>	<p><b>OFELIA S. RUBIO</b> Chief, Infrastructure</p> <p><b>EDWIN B. BARAL</b> Director, PPSDS</p>	<p><b>GERALD L. PEREZ</b> Campus Administrator</p>	<p><b>CARLO F. VADIL</b> VP for Planning Development and Information System</p>	<p><b>WILFREDO A. DUMALE, JR</b> University President</p>	<p align="center">E-3 22</p>

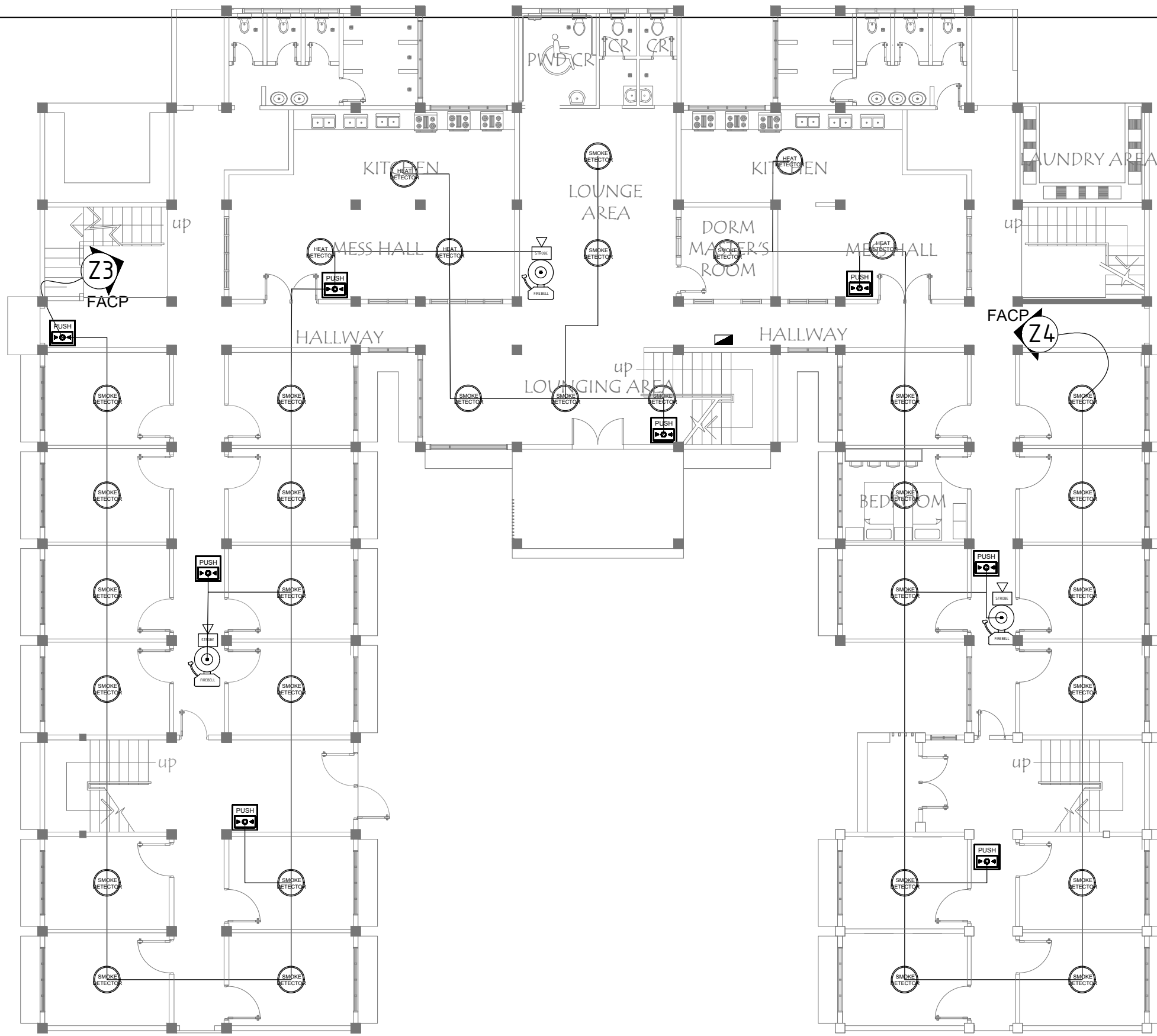




**CONCRETE POLE DETAIL**

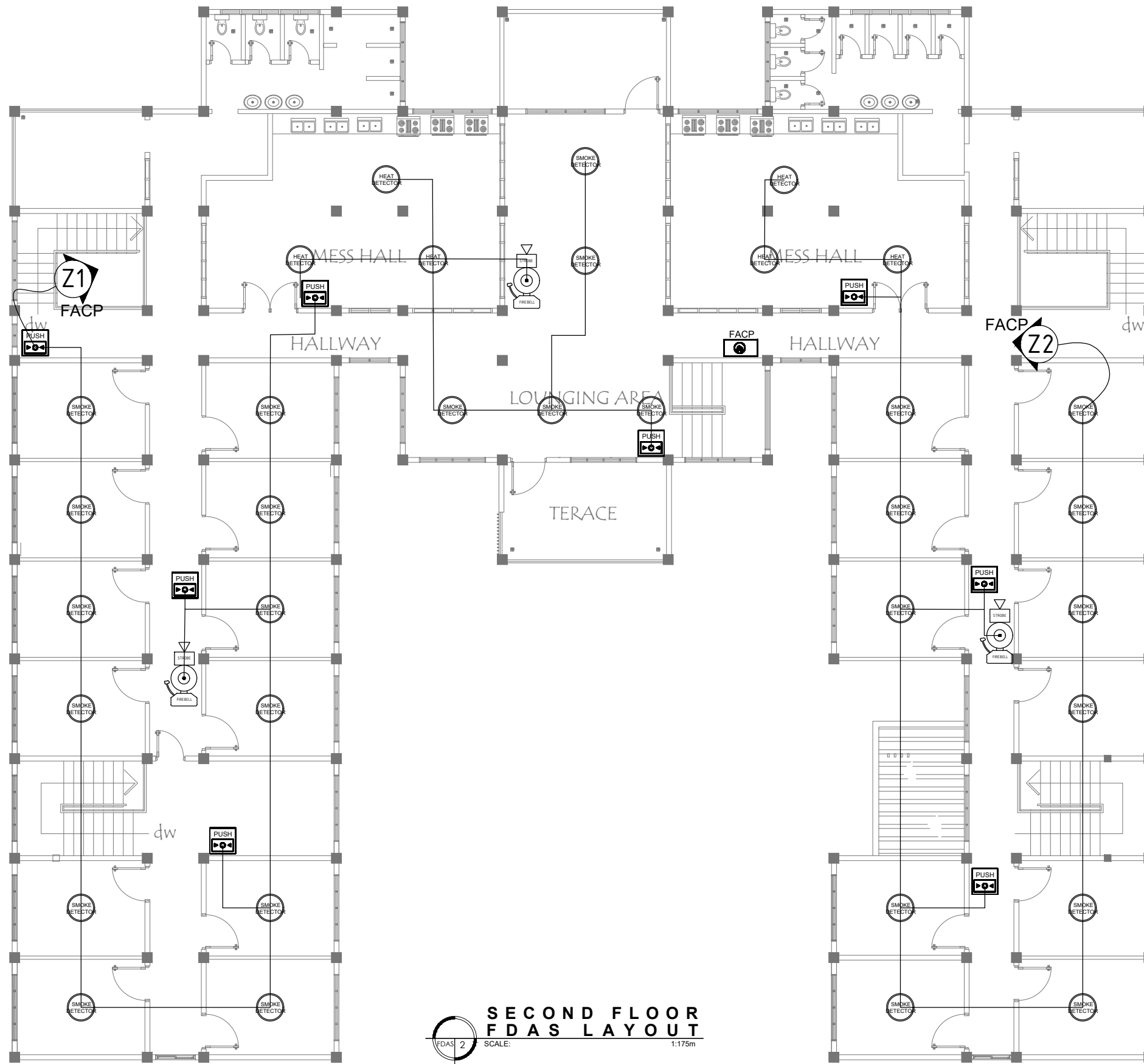
E 4 SCALE: NTS

SIGNED AND SEALED BY:	PROJECT AND LOCATION:	PREPARED BY:	SUBMITTED BY:	CONCURRED BY:	RECOMMENDING APPROVAL:	APPROVED BY:	SHEET NO:
_____ PRC REG NO: _____ VALID UNTIL: _____ PTR NO: _____ VALID UNTIL: _____ PLACE OF ISSUE: _____ DATE ISSUE: _____ TIN NO: _____	 <p><b>IMPROVEMENT OF PLGU IP LADIES DORM WITH FIXTURES</b></p> <p>NUEVA VIZCAYA STATE UNIVERSITY, BAMBANG CAMPUS</p>	<p><b>KYLE RENZO V. GALAPON</b> Electrical Engineer</p>	<p><b>OFELIA S. RUBIO</b> Chief, Infrastructure</p> <p><b>EDWIN B. BARAL</b> Director, PPSDS</p>	<p><b>GERALD L. PEREZ</b> Campus Administrator</p>	<p><b>CARLO F. VADIL</b> VP for Planning Development and Information System</p>	<p><b>WILFREDO A. DUMALE, JR</b> University President</p>	<div style="border: 1px solid black; border-radius: 50%; width: 40px; height: 40px; display: flex; align-items: center; justify-content: center;">             E-4 24           </div>





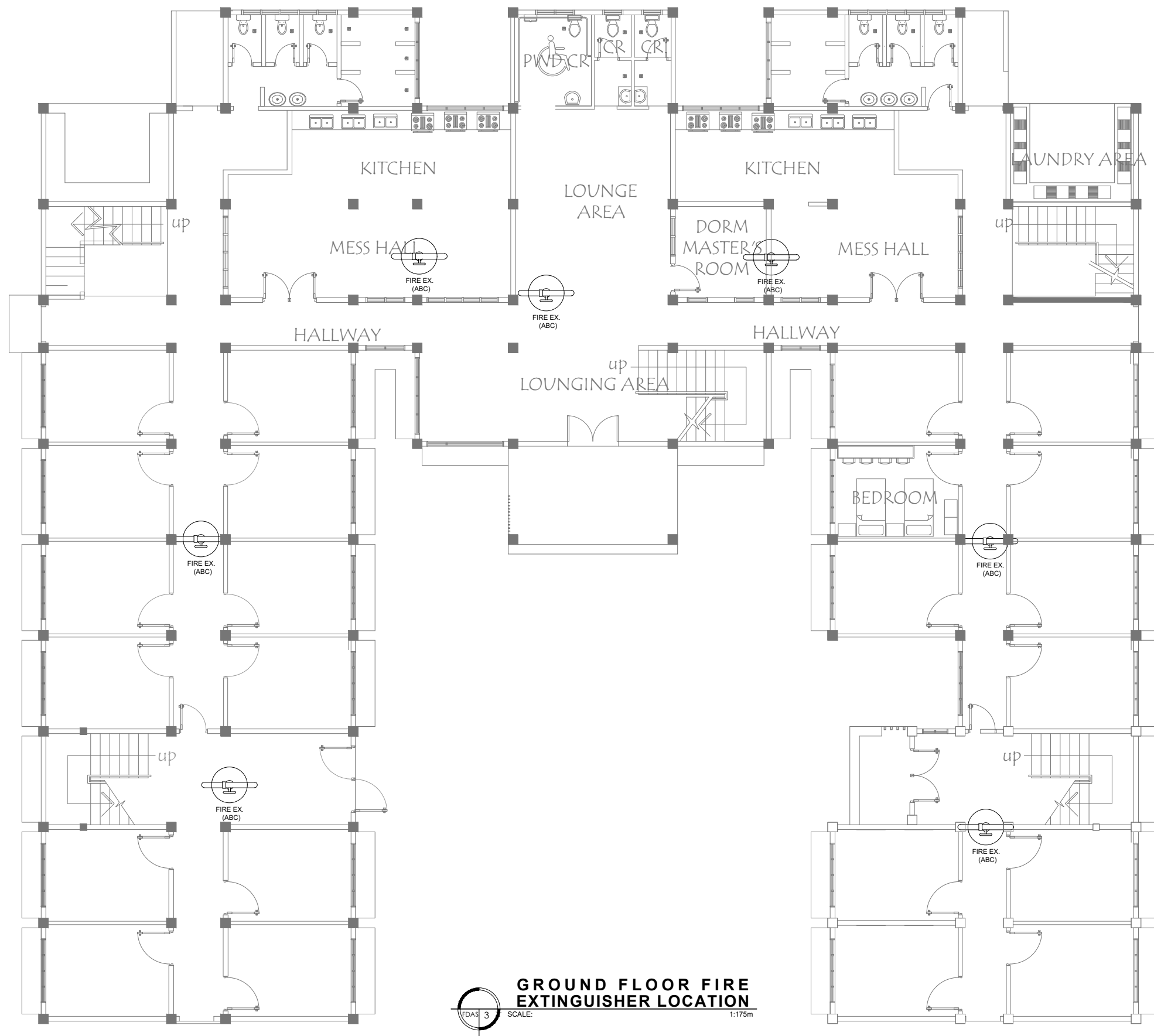
**GROUND FLOOR  
FDAS LAYOUT**  
SCALE: 1:175m

SIGNED AND SEALED BY:	PROJECT AND LOCATION:	PREPARED BY:	SUBMITTED BY:	CONCURRED BY:	RECOMMENDING APPROVAL:	APPROVED BY:	SHEET NO:
_____  <small>PRC REG NO: _____ VALID UNTIL: _____            PTR NO: _____ VALID UNTIL: _____            PLACE OF ISSUE: _____ DATE ISSUE: _____            TIN NO: _____</small>	 <b>IMPROVEMENT OF PLGU IP LADIES DORM WITH FIXTURES</b>  <small>NUEVA VIZCAYA STATE UNIVERSITY, BAMBANG CAMPUS</small>	<b>KYLE RENZO V. GALAPON</b> <small>Electrical Engineer</small>	<b>OFELIA S. RUBIO</b> <small>Chief, Infrastructure</small>  <b>EDWIN B. BARAL</b> <small>Director, PPSDS</small>	<b>GERALD L. PEREZ</b> <small>Campus Administrator</small>	<b>CARLO F. VADIL</b> <small>VP for Planning Development and Information System</small>	<b>WILFREDO A. DUMALE, JR</b> <small>University President</small>	<div style="border: 1px solid black; border-radius: 50%; width: 40px; height: 40px; display: flex; align-items: center; justify-content: center; margin: 0 auto;">             FDAS-1 25           </div>



**SECOND FLOOR  
FDAS LAYOUT**  
SCALE: 1:175m

SIGNED AND SEALED BY:	PROJECT AND LOCATION:	PREPARED BY:	SUBMITTED BY:	CONCURRED BY:	RECOMMENDING APPROVAL:	APPROVED BY:	SHEET NO:
_____ PRC REG NO: _____ VALID UNTIL: _____ PTR NO: _____ VALID UNTIL: _____ PLACE OF ISSUE: _____ DATE ISSUE: _____ TIN NO: _____	 <p><b>IMPROVEMENT OF PLGU IP LADIES DORM WITH FIXTURES</b> NUEVA VIZCAYA STATE UNIVERSITY, BAMBANG CAMPUS</p>	<p><b>KYLE RENZO V. GALAPON</b> Electrical Engineer</p>	<p><b>OFELIA S. RUBIO</b> Chief, Infrastructure</p> <p><b>EDWIN B. BARAL</b> Director, PPSDS</p>	<p><b>GERALD L. PEREZ</b> Campus Administrator</p>	<p><b>CARLO F. VADIL</b> VP for Planning Development and Information System</p>	<p><b>WILFREDO A. DUMALE, JR</b> University President</p>	



SIGNED AND SEALED BY:

PROJECT AND LOCATION:

PREPARED BY:

SUBMITTED BY:

CONCURRED BY:

RECOMMENDING APPROVAL:

APPROVED BY:

SHEET NO:

PRC REG NO: \_\_\_\_\_ VALID UNTIL: \_\_\_\_\_  
 PTR NO: \_\_\_\_\_ VALID UNTIL: \_\_\_\_\_  
 PLACE OF ISSUE: \_\_\_\_\_ DATE ISSUE: \_\_\_\_\_  
 TIN NO: \_\_\_\_\_



**IMPROVEMENT OF PLGU IP LADIES  
 DORM WITH FIXTURES**  
 NUEVA VIZCAYA STATE UNIVERSITY, BAMBANG CAMPUS

**KYLE RENZO V. GALAPON**  
 Electrical Engineer

**OFELIA S. RUBIO**  
 Chief, Infrastructure

**EDWIN B. BARAL**  
 Director, PPSDS

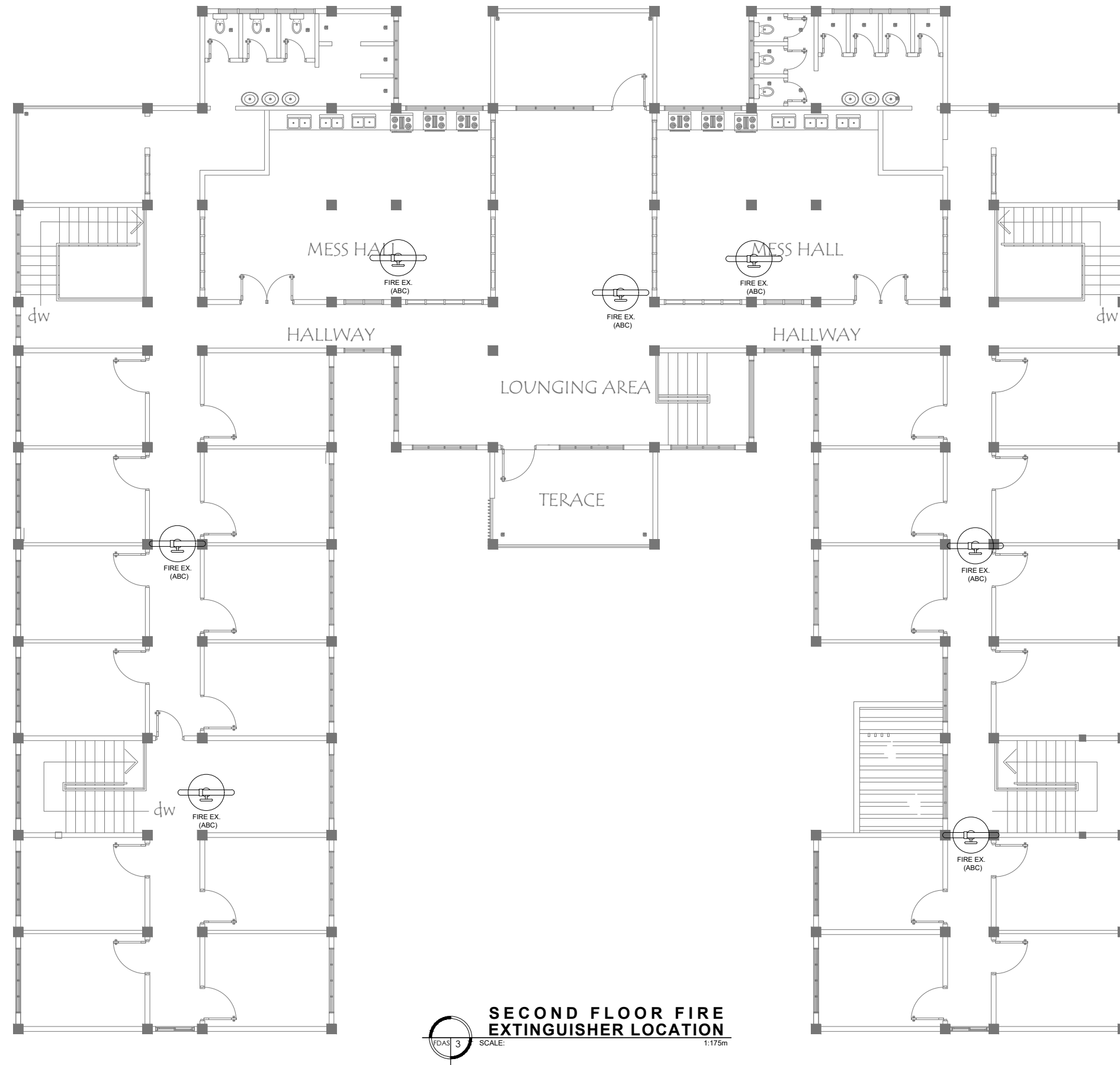
**GERALD L. PEREZ**  
 Campus Administrator

**CARLO F. VADIL**  
 VP for Planning Development and Information System

**WILFREDO A. DUMALE, JR**  
 University President

FDAS-3  
 26





SIGNED AND SEALED BY:

PROJECT AND LOCATION:

PREPARED BY:

SUBMITTED BY:

CONCURRED BY:

RECOMMENDING APPROVAL:

APPROVED BY:

SHEET NO:

PRC REG NO: \_\_\_\_\_ VALID UNTIL: \_\_\_\_\_  
 PTR NO: \_\_\_\_\_ VALID UNTIL: \_\_\_\_\_  
 PLACE OF ISSUE: \_\_\_\_\_ DATE ISSUE: \_\_\_\_\_  
 TIN NO: \_\_\_\_\_



**IMPROVEMENT OF PLGU IP LADIES  
 DORM WITH FIXTURES**  
 NUEVA VIZCAYA STATE UNIVERSITY, BAMBANG CAMPUS

**KYLE RENZO V. GALAPON**  
 Electrical Engineer

**OFELIA S. RUBIO**  
 Chief, Infrastructure

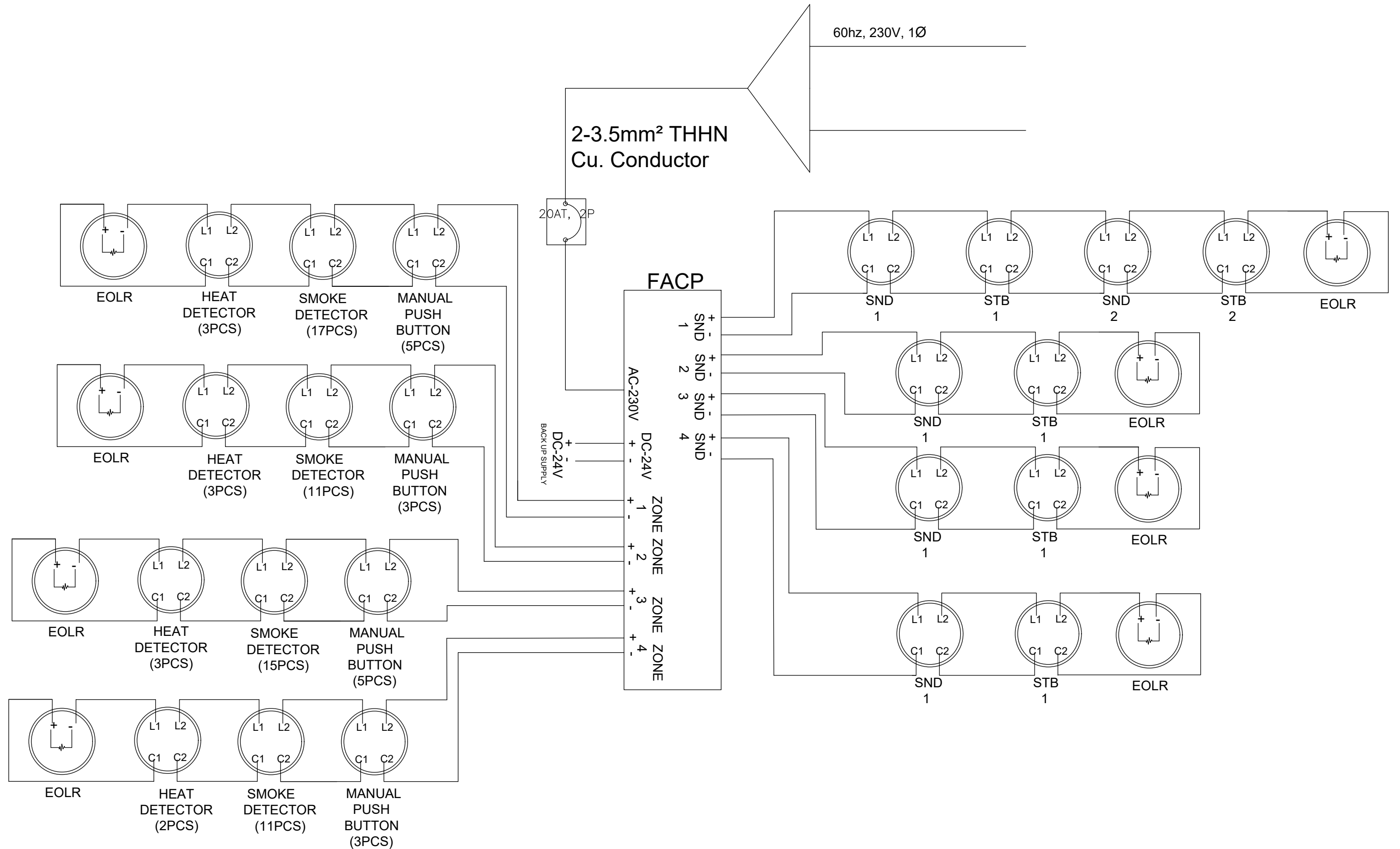
**EDWIN B. BARAL**  
 Director, PPSDS

**GERALD L. PEREZ**  
 Campus Administrator



**CARLO F. VADIL**  
 VP for Planning Development and Information System

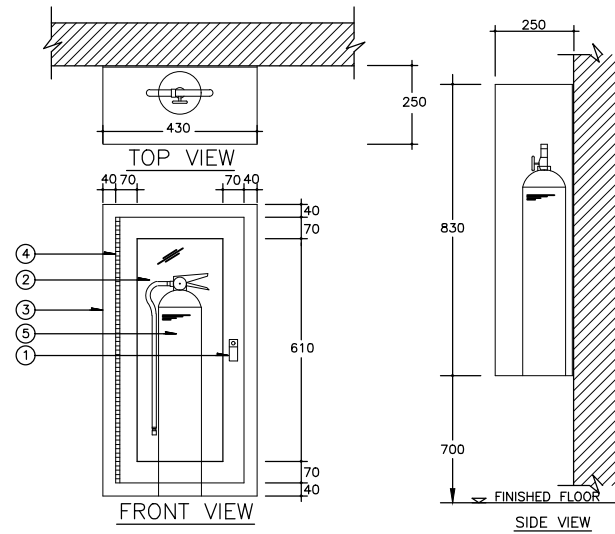
**WILFREDO A. DUMALE, JR**  
 University President

FDAS-4  
 27



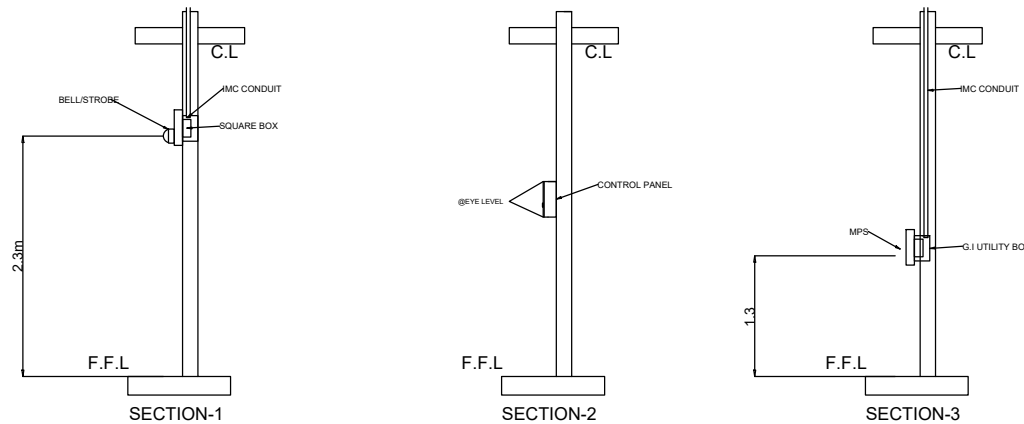
**FDAS SINGLE LINE DIAGRAM**  
 SCALE: NTS

SIGNED AND SEALED BY:	PROJECT AND LOCATION:	PREPARED BY:	SUBMITTED BY:	CONCURRED BY:	RECOMMENDING APPROVAL:	APPROVED BY:	SHEET NO:
	 <b>IMPROVEMENT OF PLGU IP LADIES DORM WITH FIXTURES</b> NUEVA VIZCAYA STATE UNIVERSITY, BAMBANG CAMPUS	<b>KYLE RENZO V. GALAPON</b> Electrical Engineer	<b>OFELIA S. RUBIO</b> Chief, Infrastructure <b>EDWIN B. BARAL</b> Director, PPSDS	<b>GERALD L. PEREZ</b> Campus Administrator	<b>CARLO F. VADIL</b> VP for Planning Development and Information System	<b>WILFREDO A. DUMALE, JR</b> University President	
PRC REG NO: _____ VALID UNTIL: _____ PTR NO: _____ VALID UNTIL: _____ PLACE OF ISSUE: _____ DATE ISSUE: _____ TIN NO: _____							

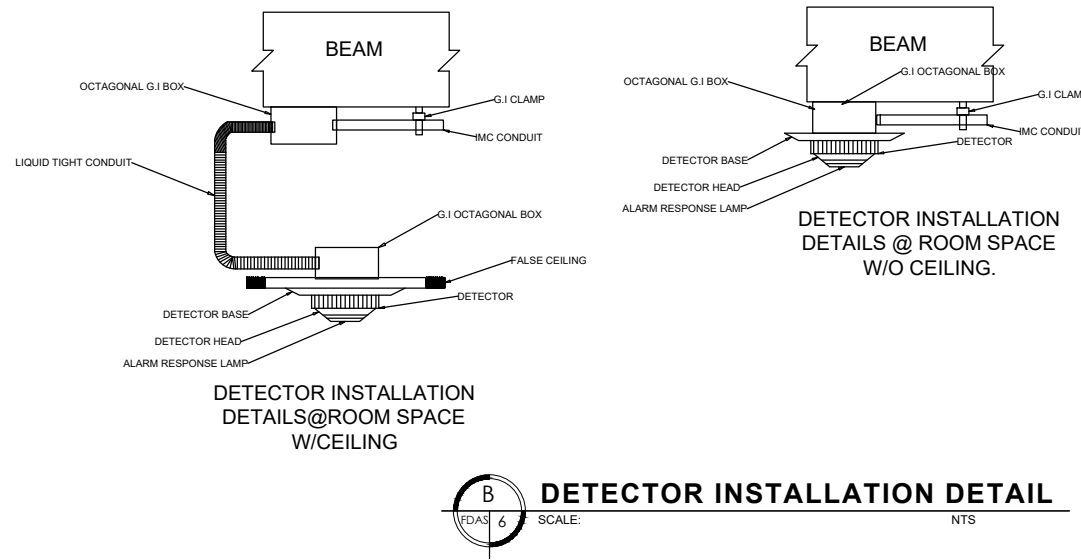


1. PUSH TO OPEN LOCKABLE DEVICE, KEYED LOCK, FINISHED CHROMED.
2. SAFETY GLASS 5 mm. THICK DOOR PANEL.
3. SURFACE TYPE CABINET MADE OF 1.6 mm. (16 GAUGE) STEEL WITH STEEL TRIM & DOORFRAME. DOOR TO BE FURNISHED WITH CONTINUOUS STEEL HINGE (BRASS PIN), WITH PUSH TO OPEN LOCKABLE DEVICE, KEYED ALIKE, CABINET SHALL BE CLEANED & COATED WITH PHOSPHATE SOLUTION PRIOR TO BEING FINISHED WITH BAKED ON RED PAINTING (OSHA RED)
4. CONTINUOUS STEEL HINGE WITH BRASS PIN.
5. ABC DRY CHEMICAL (AMMONIUM PHOSPHATE BASE) FIRE EXTINGUISHER, 4.5 kg.(10 LB), UL/FM LISTED

**A FIRE EXTINGUISHER DETAIL**  
FDAS 6 SCALE: NTS



**C FDAS DEVICE INSTALLATION DETAIL**  
FDAS 6 SCALE: NTS

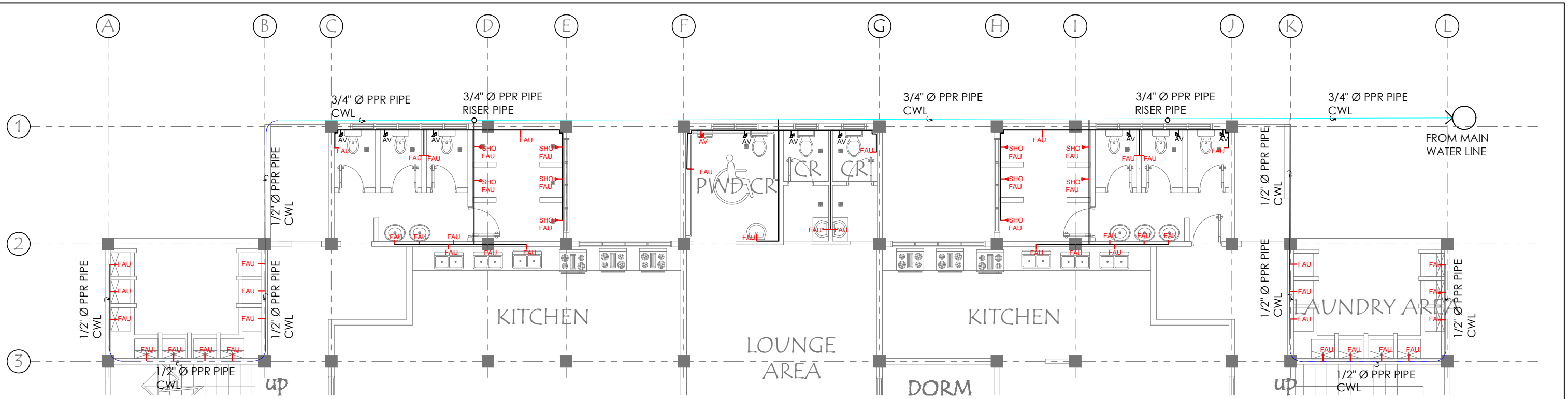


**GENERAL NOTES AND SPECIFICATIONS**

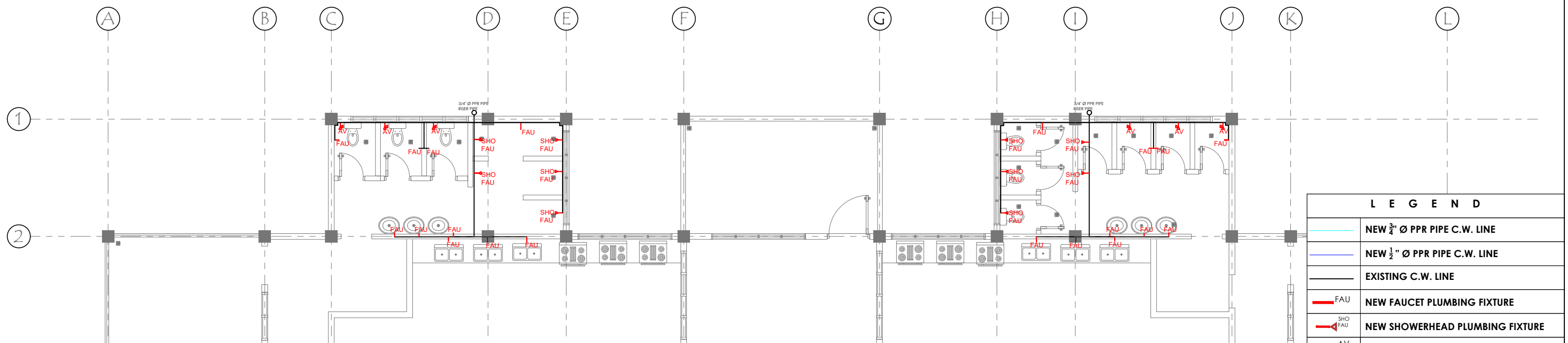
1. ALL WORKS HEREIN SHALL BE DONE IN ACCORDANCE WITH THE LATEST ISSUE OF THE PHILIPPINE ELECTRONICS CODE, THE PHILIPPINE ELECTRICAL CODE, THE FIRE CODE OF THE PHILIPPINES AND ITS IRR, THE NFPA 72 AND 70 AND THE RULES AND REGULATIONS OF THE MUNICIPALITY AND OF THE AUTHORITY HAVING JURISDICTION.
2. ALL WIRING WILL BE IN ACCORDANCE WITH FDAS MANUFACTURERS RECOMMENDATION TO PROPERLY CONDUCT THE CIRCUIT CURRENT.  
  
-AWG #16 TF WIRE SIGNALING LINE CIRCUIT  
-AWG #16 TF WIRE 24VDC AUXILLARY CIRCUIT
3. SMOKE DETECTORS & HEAT DETECTORS ARE TO BE INSTALLED ACCORDING TO THE RECOMMENDED SPACING AS PER NFPA 72 AND MANUFACTURERS LISTING.  
  
-SMOKE DETECTOR 9.1 METERS (AREA COVERAGE 0.7 TIME LISTED SPACING)  
-HEAT DETECTOR 13.9 METERS ( AREA COVERAGE 0.7 TIMES LISTED SPACING)
4. ALL AUDIBLE DEVICES IS AT LEAST 15DBA ABOVE THE AVERAGE AMBIENT SOUND.
5. WIRING METHOD WILL BE IN ELECTRICAL METAL TUBING AND ELECTRICAL BOX ARE GALVANIZE GA#16 MINIMUM..
6. ALL MATERIALS TO BE USED ARE NEW AND WILL BE INSTALLED IN APPLICATION FOR WHICH THEY ARE INTENDED.

**D GENERAL NOTES & INSTALLATION**  
FDAS 6 SCALE: NTS

SIGNED AND SEALED BY:	PROJECT AND LOCATION:	PREPARED BY:	SUBMITTED BY:	CONCURRED BY:	RECOMMENDING APPROVAL:	APPROVED BY:	SHEET NO:
 PRC REG NO: _____ VALID UNTIL: _____ PTR NO: _____ VALID UNTIL: _____ PLACE OF ISSUE: _____ DATE ISSUE: _____ TIN NO: _____	 <b>IMPROVEMENT OF PLGU IP LADIES DORM WITH FIXTURES</b> NUEVA VIZCAYA STATE UNIVERSITY, BAMBANG CAMPUS	<b>KYLE RENZO V. GALAPON</b> Electrical Engineer	<b>OFELIA S. RUBIO</b> Chief, Infrastructure <b>EDWIN B. BARAL</b> Director, PPSDS	<b>GERALD L. PEREZ</b> Campus Administrator	<b>CARLO F. VADIL</b> VP for Planning Development and Information System	<b>WILFREDO A. DUMALE, JR</b> University President	



**GROUND FLOOR WATER LINE LAYOUT**  
 SCALE: 1:100m



**GROUND FLOOR WATER LINE LAYOUT**  
 SCALE: 1:100m


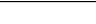

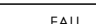
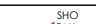



LEGEND	
<span style="color: cyan;">—</span>	NEW 3/4" Ø PPR PIPE C.W. LINE
<span style="color: blue;">—</span>	NEW 1/2" Ø PPR PIPE C.W. LINE
<span style="color: grey;">—</span>	EXISTING C.W. LINE
<span style="color: red;">—</span>	NEW FAUCET PLUMBING FIXTURE
<span style="color: red;">—</span> SHO	NEW SHOWERHEAD PLUMBING FIXTURE
<span style="color: red;">—</span> AV	NEW ANGLE VALVE PLUMBING FIXTURE
<span style="color: orange;">—</span>	NEW UPVC PIPE SANITARY LINE
<span style="color: grey;">—</span>	EXISTING SANITARY LINE

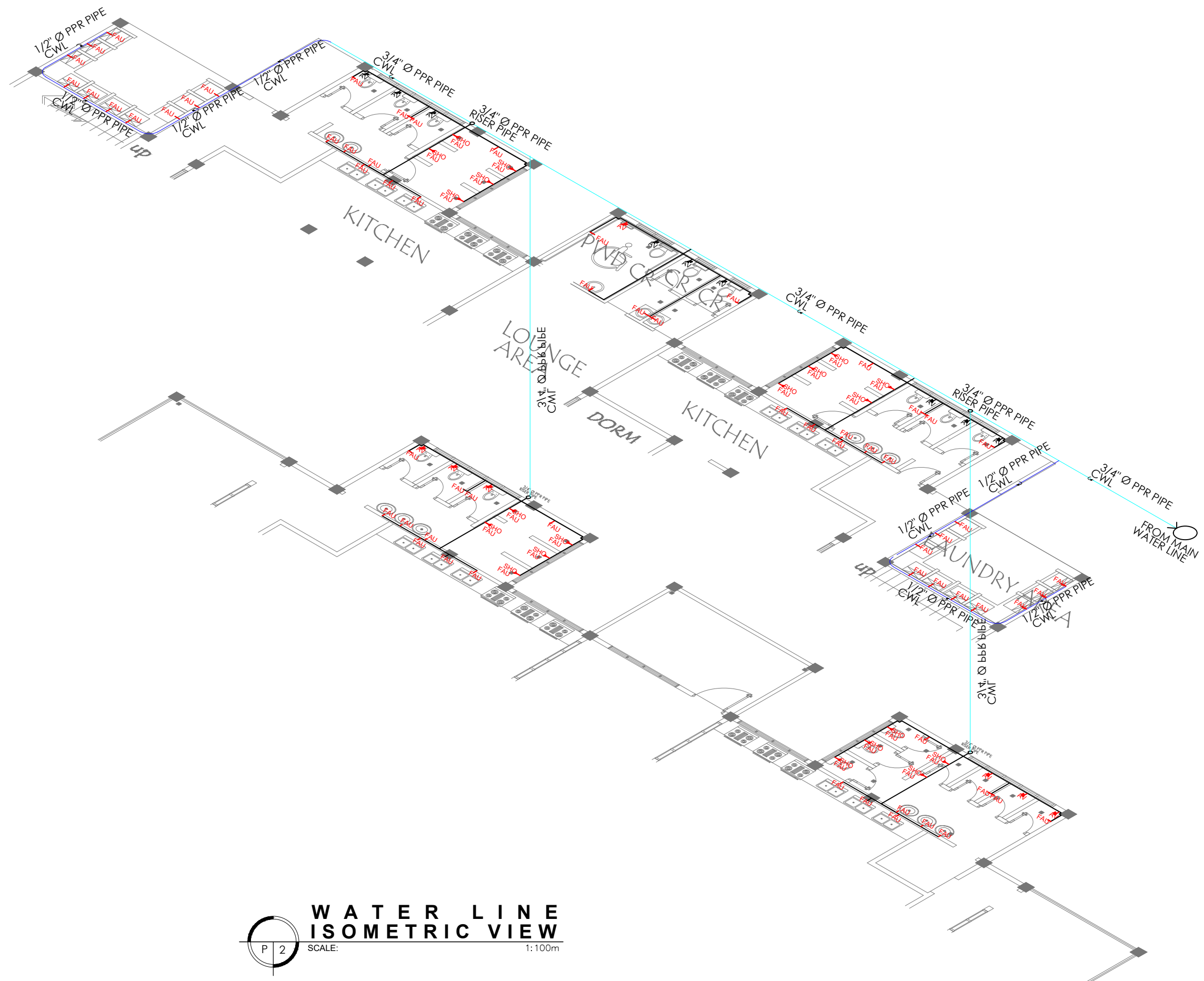
SIGNED AND SEALED BY:	PROJECT AND LOCATION: <b>IMPROVEMENT OF PLGU IP LADIES DORM WITH FIXTURES</b> NUEVA VIZCAYA STATE UNIVERSITY, BAMBANG CAMPUS	PREPARED BY: <b>DENNIS RIO C. VALDEZ</b> Architect <b>RANIEL PAOLO C. GUNDRAN</b> Architect	SUBMITTED BY: <b>OFELIA S. RUBIO</b> Chief, Infrastructure <b>EDWIN B. BARAL</b> Director, PPSDS (OIC)	CONCURRED BY: <b>GERALD L. PEREZ</b> Campus Administrator	RECOMMENDING APPROVAL: <b>CARLO F. VADIL</b> VP for Planning Development and Information System	APPROVED BY: <b>WILFREDO A. DUMALE, JR</b> University President	SHEET NO: <b>P-1</b> <b>30</b>
-----------------------	--	---	--	--	--	--	--------------------------------------

PRC REG NO: \_\_\_\_\_ VALID UNTIL: \_\_\_\_\_  
 PTR NO: \_\_\_\_\_ VALID UNTIL: \_\_\_\_\_  
 PLACE OF ISSUE: \_\_\_\_\_ DATE ISSUE: \_\_\_\_\_  
 TIN NO: \_\_\_\_\_








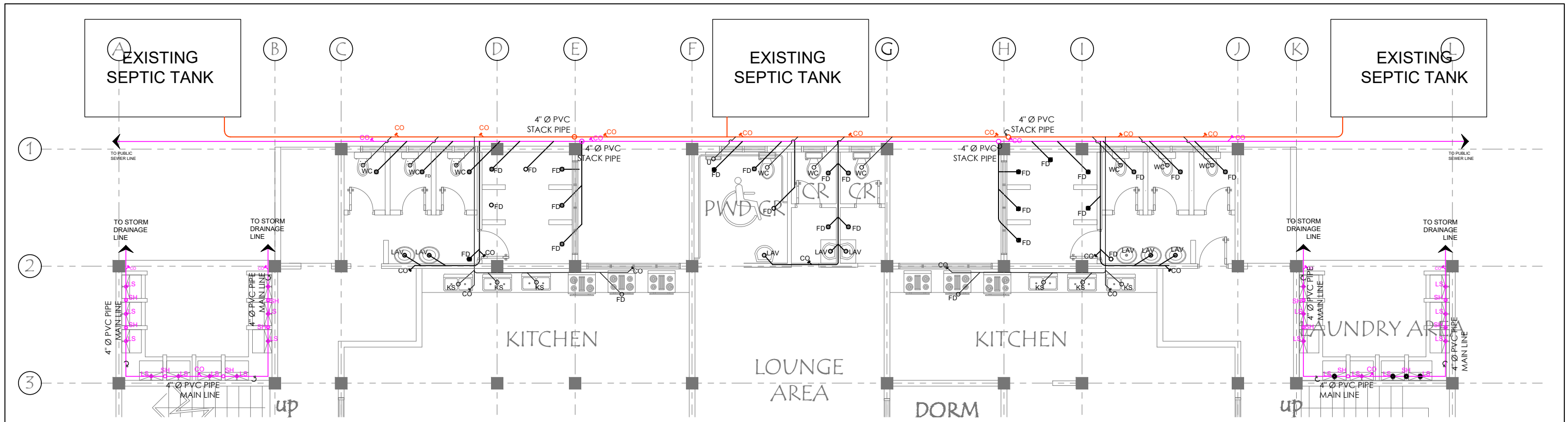
L E G E N D	
	NEW 3/4" Ø PPR PIPE C.W. LINE
	NEW 1/2" Ø PPR PIPE C.W. LINE
	EXISTING C.W. LINE
	NEW FAUCET PLUMBING FIXTURE
	NEW SHOWERHEAD PLUMBING FIXTURE
	NEW ANGLE VALVE PLUMBING FIXTURE
	NEW uPVC PIPE SANITARY LINE
	EXISTING SANITARY LINE



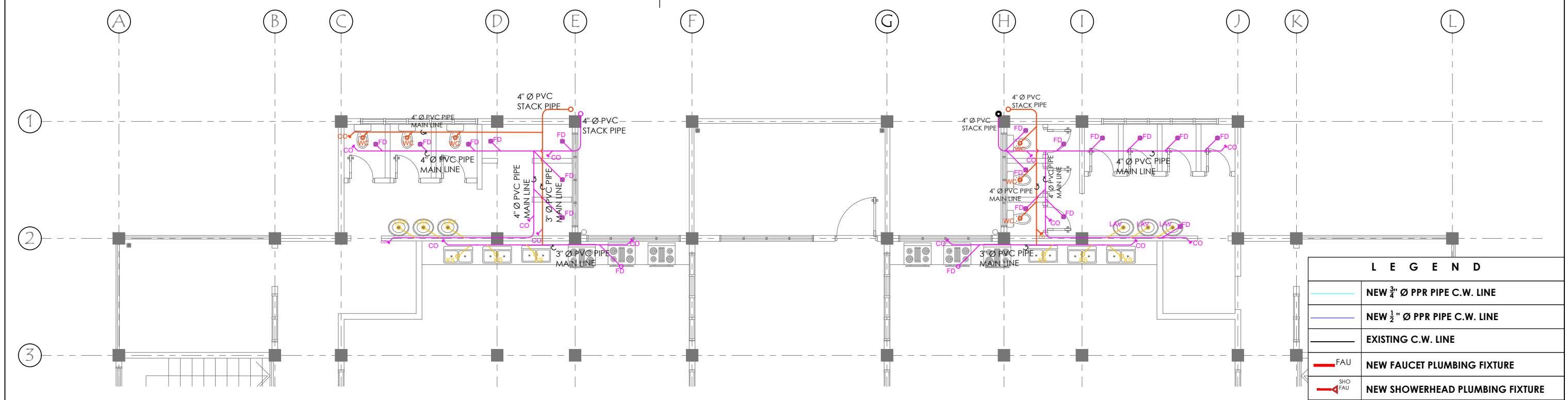
**W A T E R L I N E  
I S O M E T R I C V I E W**

SCALE: 1:100m

SIGNED AND SEALED BY:	PROJECT AND LOCATION:	PREPARED BY:	SUBMITTED BY:	CONCURRED BY:	RECOMMENDING APPROVAL:	APPROVED BY:	SHEET NO:
 PRC REG NO: _____ VALID UNTIL: _____ PTR NO: _____ VALID UNTIL: _____ PLACE OF ISSUE: _____ DATE ISSUE: _____ TIN NO: _____	 <b>IMPROVEMENT OF PLGU IP LADIES DORM WITH FIXTURES</b> NUEVA VIZCAYA STATE UNIVERSITY, BAMBANG CAMPUS	<b>DENNIS RIO C. VALDEZ</b> <small>Architect</small> <b>RANIEL PAOLO C. GUNDRAN</b> <small>Architect</small>	<b>OFELIA S. RUBIO</b> <small>Chief, Infrastructure</small> <b>EDWIN B. BARAL</b> <small>Director, PPSDS</small>	<b>GERALD L. PEREZ</b> <small>Campus Administrator</small>	<b>CARLO F. VADIL</b> <small>VP for Planning Development and Information System</small>	<b>WILFREDO A. DUMALE, JR</b> <small>University President</small>	




**GROUND FLOOR  
SEWER LINE LAYOUT**  
SCALE: 1:100m



**GROUND FLOOR  
SEWER LINE LAYOUT**  
SCALE: 1:100m

LEGEND	
	NEW 3/4" Ø PPR PIPE C.W. LINE
	NEW 1/2" Ø PPR PIPE C.W. LINE
	EXISTING C.W. LINE
	NEW FAUCET PLUMBING FIXTURE
	NEW SHOWERHEAD PLUMBING FIXTURE
	NEW ANGLE VALVE PLUMBING FIXTURE
	NEW uPVC PIPE SANITARY LINE
	EXISTING SANITARY LINE

SIGNED AND SEALED BY:  
\_\_\_\_\_  
PRC REG NO: \_\_\_\_\_ VALID UNTIL: \_\_\_\_\_  
PTR NO: \_\_\_\_\_ VALID UNTIL: \_\_\_\_\_  
PLACE OF ISSUE: \_\_\_\_\_ DATE ISSUE: \_\_\_\_\_  
TIN NO: \_\_\_\_\_

PROJECT AND LOCATION:  
  
**IMPROVEMENT OF PLGU IP LADIES  
DORM WITH FIXTURES**  
NUEVA VIZCAYA STATE UNIVERSITY, BAMBANG CAMPUS


PREPARED BY:  
**DENNIS RIO C. VALDEZ** Architect  
**RANIEL PAOLO C. GUNDRAN** Architect

SUBMITTED BY:  
**OFELIA S. RUBIO** Chief, Infrastructure  
**EDWIN B. BARAL** Director, PPSDS

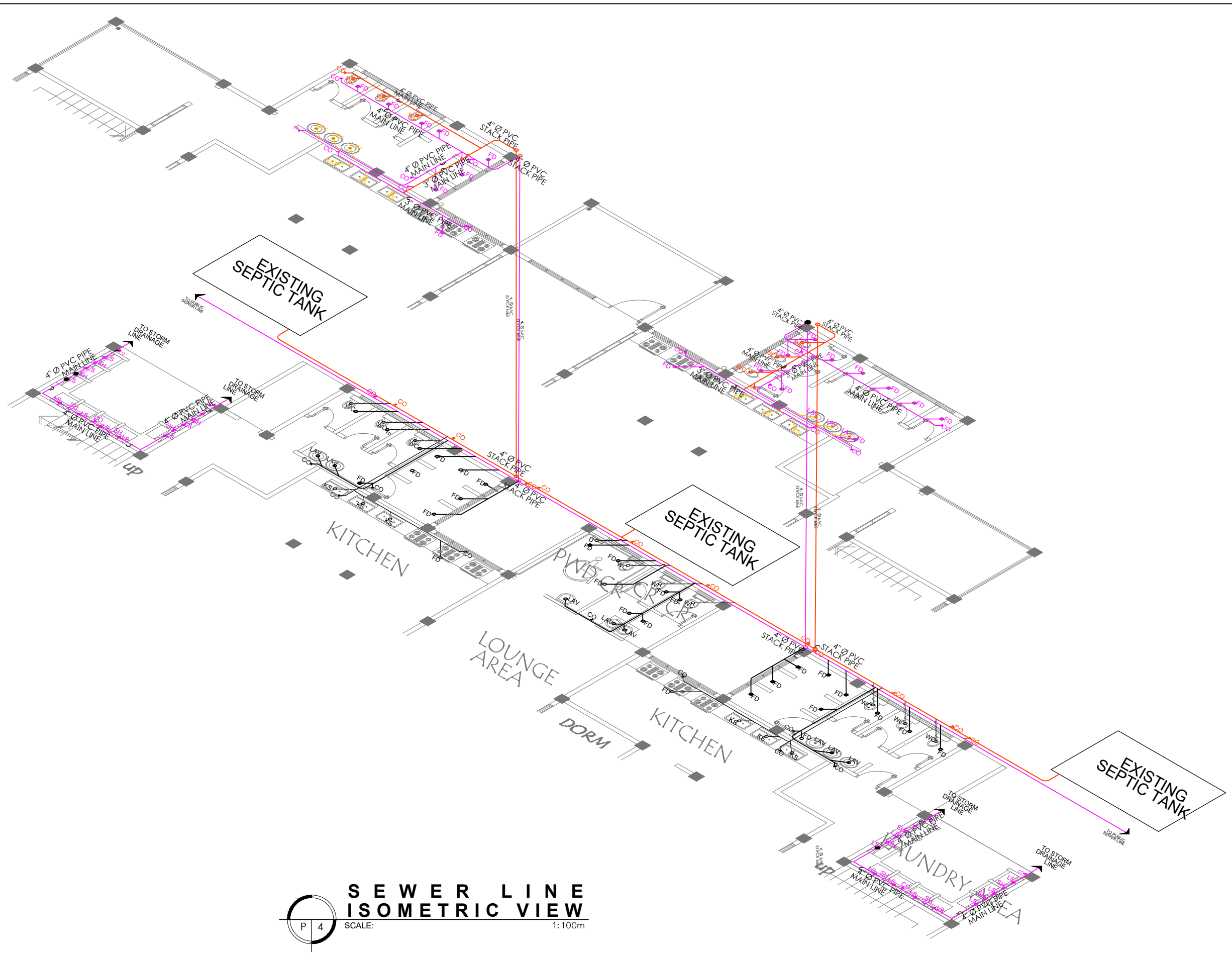
CONCURRED BY:  
**GERALD L. PEREZ** Campus Administrator

RECOMMENDING APPROVAL:  
**CARLO F. VADIL**  
VP for Planning Development and Information System

APPROVED BY:  
**WILFREDO A. DUMALE, JR**  
University President

SHEET NO:  


L E G E N D	
	NEW 3/4" Ø PPR PIPE C.W. LINE
	NEW 1/2" Ø PPR PIPE C.W. LINE
	EXISTING C.W. LINE
	NEW FAUCET PLUMBING FIXTURE
	NEW SHOWERHEAD PLUMBING FIXTURE
	NEW ANGLE VALVE PLUMBING FIXTURE
	NEW uPVC PIPE SANITARY LINE
	EXISTING SANITARY LINE



**SEWER LINE ISOMETRIC VIEW**  
SCALE: 1:100m

SIGNED AND SEALED BY:	PROJECT AND LOCATION:	PREPARED BY:	SUBMITTED BY:	CONCURRED BY:	RECOMMENDING APPROVAL:	APPROVED BY:	SHEET NO:
	<b>IMPROVEMENT OF PLGU IP LADIES DORM WITH FIXTURES</b> NUEVA VIZCAYA STATE UNIVERSITY, BAMBANG CAMPUS	<b>DENNIS RIO C. VALDEZ</b> Architect <b>RANIEL PAOLO C. GUNDRAN</b> Architect	<b>OFELIA S. RUBIO</b> Chief, Infrastructure <b>EDWIN B. BARAL</b> Director, PPSDS	<b>GERALD L. PEREZ</b> Campus Administrator	<b>CARLO F. VADIL</b> VP for Planning Development and Information System	<b>WILFREDO A. DUMALE, JR</b> University President	P-4 33
PRC REG NO: _____ VALID UNTIL: _____ PTR NO: _____ VALID UNTIL: _____ PLACE OF ISSUE: _____ DATE ISSUE: _____ TIN NO: _____							